



# BUSBAR TRUNKING SYSTEMS

MP-H SERIES  
160A-600A

The smartest way of power distribution



Elektrotechnik A.Ş

# MP-H SERIES



## TABLE OF CONTENTS

<b>General Information</b>	4-5
<b>Project Information</b>	6
<b>Order Code System</b>	7
<b>Fittings</b>	
Straight Lengths	8
Elbow Modules	9-12
Tee Modules	13
Expansion Module	13
Reduction Module	13
Feeder Boxes	14-15
Panel Modules	16
Flanged End	16
Horizontal Dilatation Module	16
Tap-Off Units (Plastic)	17
Tap-Off Units (Plug-In)	17
Tap-Off Units (Plug-In)	16
<b>Hanger Kit</b>	
Hangers	18-19
<b>Technical Data</b>	
Technical Table	20-21
Vertical and Horizontal Busbar Applications	22
Horizontal Dilatation Module Applications	23
<b>Installation Information</b>	
Installation Instructions	24-26
<b>Quality Certificates</b>	
Certificates	27-28
Dimensioning Template	29

Technical Specifications

DTM's MP-H Busbar Trunking System is designed as a system with pneumatic conductors for low voltage power distribution lines. As a standard, it is manufactured as plug-in type with three tap-off points. It is equipped with aluminum or copper conductors for 160A to 600A. In the 5-pole full neutral configuration, operating voltage is 1000V. The enclosure is made of aluminum or galvanized sheet and has a degree of protection of IP 55.

Area of Use

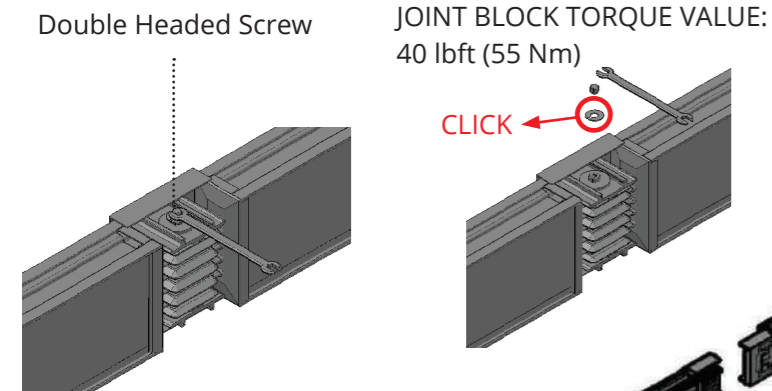
Trade centers, medium scaled industrial plants, high-rise buildings, places with data centers.

Paint

RAL 7038

Protection

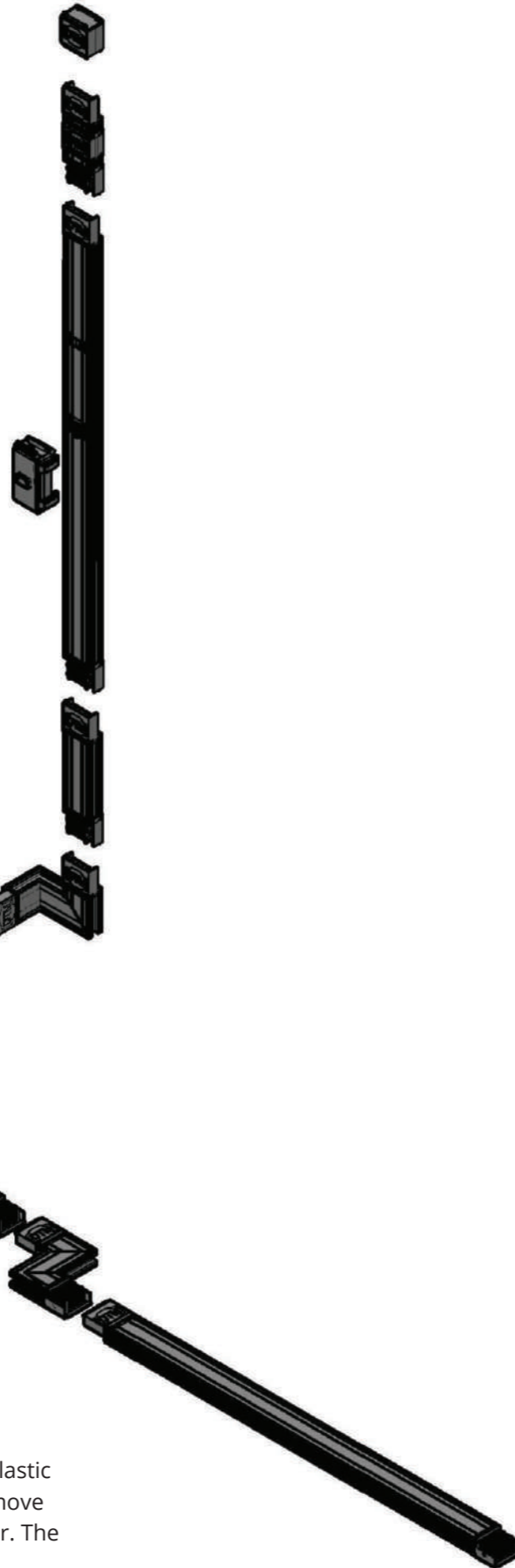
Plug-ins are flameproof (V2) and resistant to adverse ambient conditions and high temperatures. They also resist to severe impacts. The degree of protection of the sealed protective cover, which is made of flame-retardant material, is IP 55. The pressure of the dovetail on the contact surface ensures permeability at spring level.



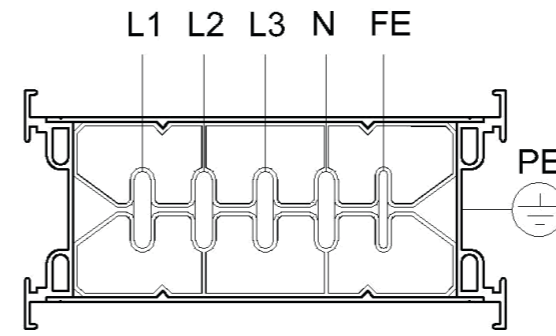
**JOINT BLOCK**  
With the single bolt joint, quick and safe installation.

TAP-OFF UNITS

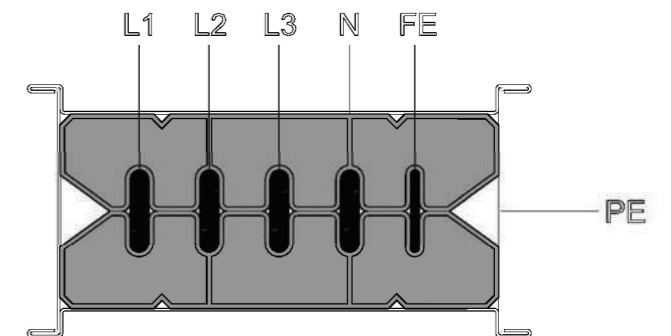
It is possible to receive current up to 160A using the plastic tap-off units. In case of failure, there is no need to remove the tap-off unit on the busbar for cutting off the power. The only thing to do is to uncover the tap-off unit.



3P+N+PE+FE2 (5 CONDUCTORS) T1



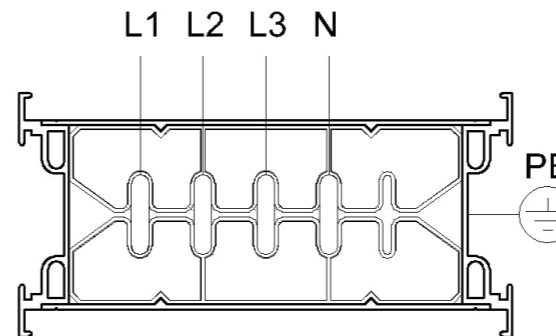
ALUMINUM HOUSING



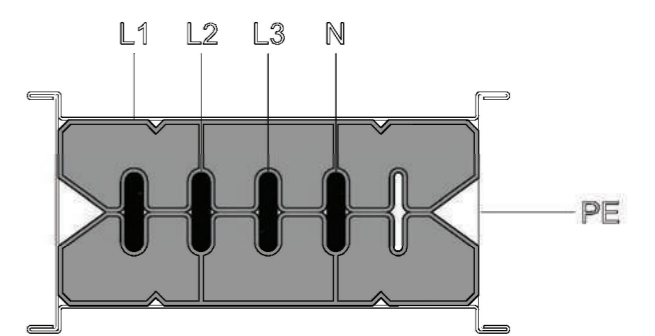
GALVANIZED SHEET HOUSING

The cross section of the neutral conductor is same as that of the phase conductor.  
The cross section of the earthing conductor is 1/2 of that of the phase conductor.

3P+N+PE (4 CONDUCTORS) T2



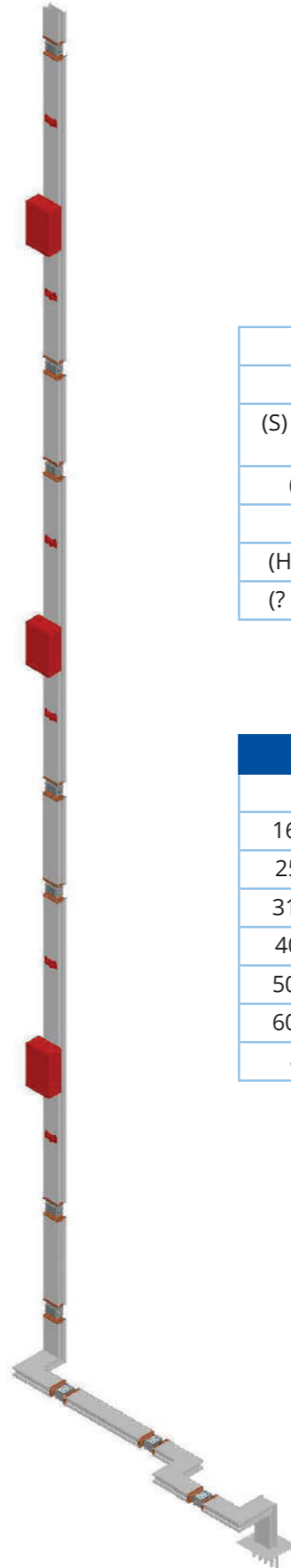
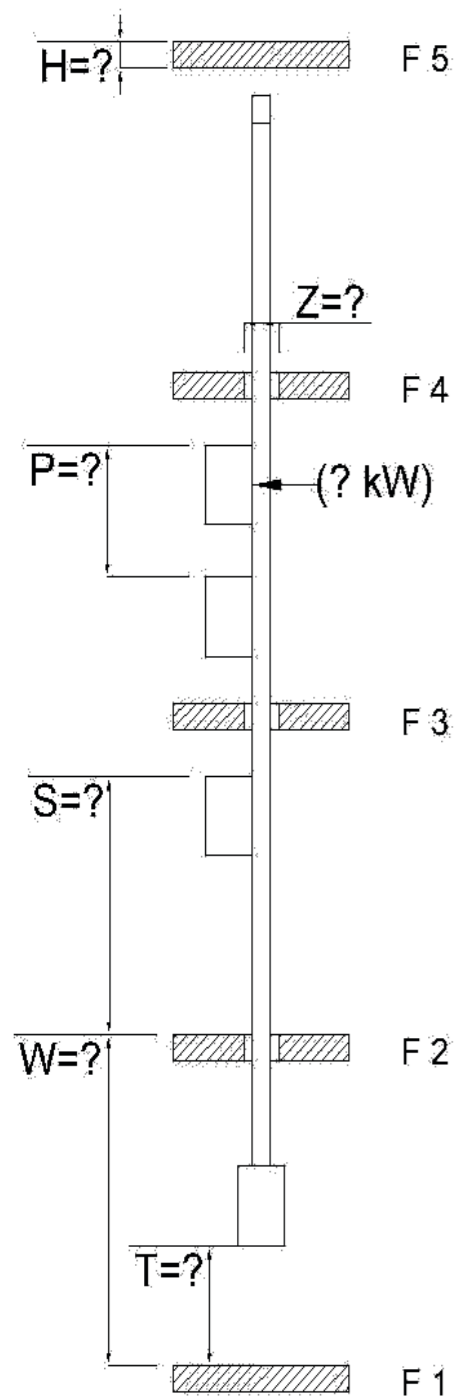
ALUMINUM HOUSING



GALVANIZED SHEET HOUSING

The cross section of the neutral conductor is same as that of the phase conductor.  
The cross section of the earthing conductor is same as that of the neutral conductor and put into the enclosure.

► Vertical Distribution Project



(T) Ground Clearance
(W) Floor Height
(S) Height from the Ground to the Panel Top
(P) Tap-Off Unit Distance
(Z) Shaft Clearance
(H) Floor Concrete Thickness
(? KW) Tap-Off Unit Amperes

Products		
	AL	CU
160A	✓	-
250A	✓	✓
315A	✓	✓
400A	✓	✓
500A	✓	-
600A	✓	✓
✓	Standard Production	

► Order Code System

Busbar Type  
Conductor Type  
Busbar Code  
Degree of Protection  
Number of Conductors  
Type P-Plug-In/F-Feeder  
Module Name

MP-H A 25 5 T2 F YDR

BUSBAR NAME

ALUMINUM (AL)	(A)
COPPER (CU)	(C)

Busbar Type

Conductor Type

MP-AL		MP-CU	
CURRENT	BUSBAR CODE	CURRENT	BUSBAR CODE
160	16	250	26
250	25	315	32
315	31	400	41
400	40	600	61
500	50		
600	60		

Busbar Code

Degree of Protection

IP55	5
------	---

Number of Conductors

NUMBER OF CONDUCTORS	CODE	L1	L2	L3	N	1/2 EARTH	CLEAN EARTH	1/2 CLEAN EARTH	EARTH
3P+N+PE (4P)	T1	✓	✓	✓	✓				✓
3P+N+PE+FE1 (5P)	T2	✓	✓	✓	✓	✓			✓

Type  
Information about the Busbar's Intended Use

(P) PLUG-IN USED FOR RECEIVING CURRENT FROM PLUG-IN POINTS IN STRAIGHT LENGTHS
(F) FEEDER USED IN DIRECT SUPPLY POINTS

Type P-Plug-In/F-Feeder

Module Name

Feeder Busbar	FS
Plug-In Busbar	PS
Horizontal Elbow Right	YDR
Horizontal Elbow Left	YDL
Vertical Elbow Downwards	DDD
Vertical Elbow Upwards	DDU
Feeder Optional Length	FX
Plug-In Optional Length	PX
Double Vertical Elbow (Off-Set) Upwards	DOU
Double Vertical Elbow (Off-Set) Downwards	DOD
Double Vertical Elbow (Off-Set) Left	YOL
Double Vertical Elbow (Off-Set) Right	YOR
Upwards Left (Combined Off-Set)	ULK
Upwards Right (Combined Off-Set)	URK
Downwards Left (Combined Off-Set)	DLK
Downwards Right (Combined Off-Set)	DRK
Left Upwards (Combined Off-Set)	LUK
Right Upwards (Combined Off-Set)	RUK
Left Downwards (Combined Off-Set)	LDK
Right Downwards (Combined Off-Set)	RDK
Centre Tee Module	OT
Four-Piece Tee Module	DT
Reduction	RD
Expansion Module	G
Panel Connection Module (E)	PME
Panel Connection Module (D)	PMD
Tap-Off Unit (Plug-In) with Fuse Switch Disconnector	KM1
Tap-Off Unit Plastic (Empty)	KPO
Tap-Off Unit (Plug-In) with Switch	KM2
Top Feed Module	BM1
Top Feed Module	BM2
Centre Feed Module	OB1
Flanged End	S
Dilatation (Horizontal)	DH
Horizontal Hanger Vertical Module (U Profile)	YVU
Horizontal Hanger Horizontal Module (U Profile)	YHU
Horizontal Hanger Vertical Module (40x40 Bracket)	YVK
Horizontal Hanger Horizontal Module (40x40 Bracket)	YHK
Shaft Hanger Module	SA
Centre Feed Module	OB2

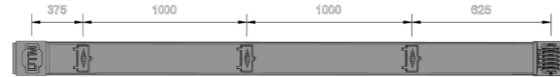
Standard Length

Busbar Type  
Conductor Type  
Busbar Code  
Degree of Protection  
Number of Conductors  
Type P-Plug-In/F-Feeder  
Module Name

Plug-in Busbar PS

**SAMPLE ORDER**  
250 A Aluminum,  
Plug-In IP 55 5 Conductor  
**MP-HA255T1PS**

**PLUG-IN BUSBAR**  
As a standard, there are three tap-off points in plug-in lengths. The number of tap-off points can be increased/decreased upon request.



Plug-In Optional Length PX

**SAMPLE ORDER**  
400 A Aluminum,  
Plug-In IP 55 5 Conductor  
**MP-HA405T1PX**

Feeder Busbar FS

**SAMPLE ORDER**  
400 A Aluminum,  
Feeder IP 55 5 Conductor  
**MP-HA405T1FS**

**FEEDER BUSBAR**  
It allows for direct supply in power transmission. As a standard, it is 3000 mm. However, upon request, it can be manufactured in different sizes starting from minimum 500 mm.

Feeder Optional Length FX

**SAMPLE ORDER**  
400 A Aluminum,  
Elbow IP 55 5 Conductor  
**MP-HA255T1PS**

Elbow Modules

Horizontal Elbow Right YDR

**SAMPLE ORDER**  
400 A Aluminum,  
Elbow IP 55 5 Conductor  
**MP-HA405T1FYDR**

Horizontal Elbow Left YDL

**SAMPLE ORDER**  
400 A Aluminum,  
Elbow IP 55 5 Conductor  
**MP-HA405T1FYDL**

Vertical Elbow Downwards DDD

**SAMPLE ORDER**  
400 A Aluminum,  
Elbow IP 55 5 Conductor  
**MP-HA405T1FDDD**

Vertical Elbow Upwards DDU

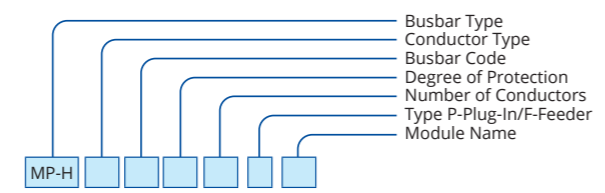
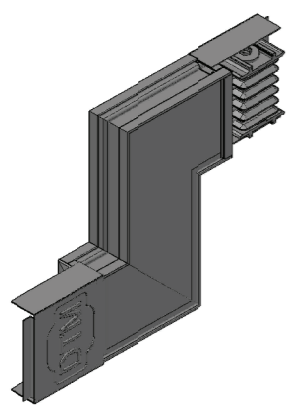
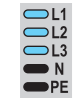
**SAMPLE ORDER**  
400 A Aluminum,  
Elbow IP 55 5 Conductor  
**MP-HA405T1FDDU**

AMP.	(AL)			(CU)		
	W mm	T mm	AMP.	W mm	T mm	
160A	145	145	250A	150	150	
250A	150	150	315A	155	155	
315A	155	155	400A	165	165	
400A	165	165	600A	180	180	
500A	170	170				
600A	180	180				
AMP.	X mm	Y mm	AMP.	X mm	Y mm	
160A	200	200	250A	200	200	
250A	200	200	315A	200	200	
315A	200	200	400A	200	200	
400A	200	200	600A	200	200	
500A	200	200				
600A	200	200				

► Please contact us for your requests.

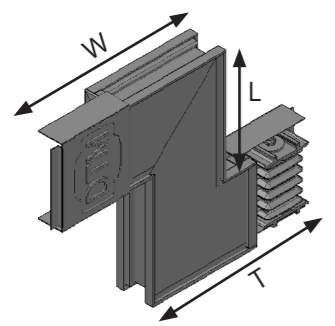
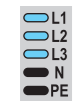
► Please contact us for your requests.

▶ Elbow Modules



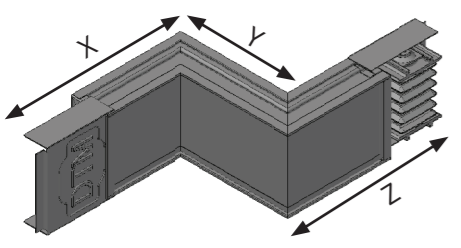
Double Vertical Elbow Upwards Off-Set **DOU**

**SAMPLE ORDER**  
250 A Copper  
Off-Set IP 55 5 Conductor  
**MP-HC265T1FDOU**



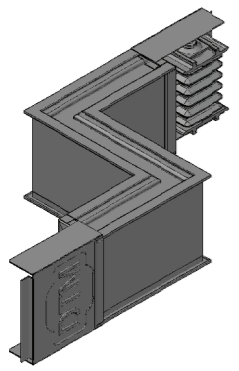
Double Vertical Elbow Downwards Off-Set **DOD**

**SAMPLE ORDER**  
400 A Copper  
Off-Set IP 55 5 Conductor  
**MP-HC415T1FDOU**



Double Horizontal Elbow Right Off-Set **YOR**

**SAMPLE ORDER**  
600 A Copper  
Off-Set IP 55 5 Conductor  
**MP-HC615T1FYOR**



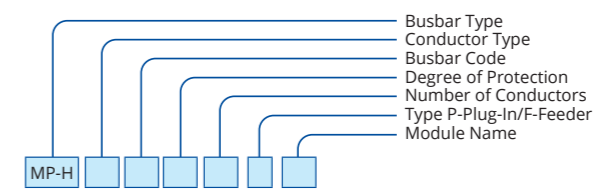
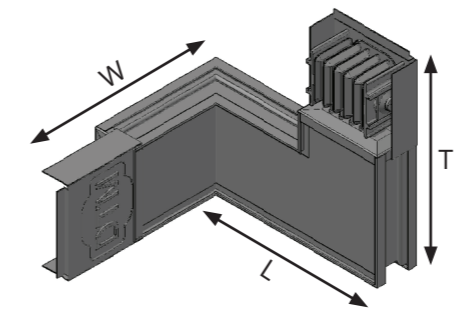
Double Horizontal Elbow Left Off-Set **YOL**

**SAMPLE ORDER**  
250 A Copper  
Off-Set IP 55 5 Conductor  
**MP-HC265T1FYOL**

	(AL)			(CU)			
AMR.	W mm	T mm	L mm	AMR.	W mm	T mm	L mm
160A	200	200	200	250A	200	200	200
250A	200	200	200	315A	200	200	200
315A	200	200	200	400A	200	200	200
400A	200	200	200	600A	200	200	200
500A	200	200	200				
600A	200	200	200				
AMR.	X mm	Y mm	Z mm	AMR.	X mm	Y mm	Z mm
160A	145	145	145	250A	145	145	145
250A	150	150	150	315A	150	150	150
315A	155	155	155	400A	155	155	155
400A	165	165	165	600A	165	165	165
500A	170	170	170				
600A	180	180	180				

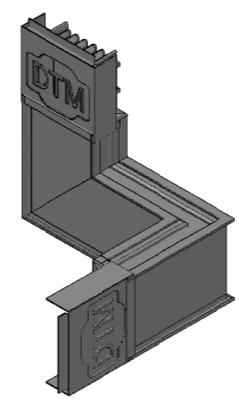
▶ Please contact us for your requests.

▶ Elbow Modules



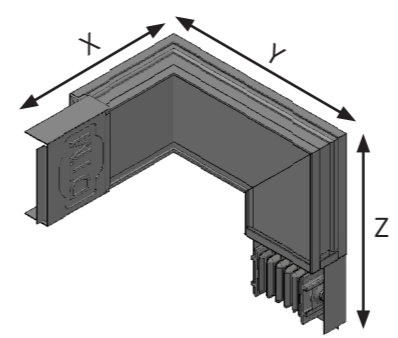
Upwards Right Combined Off-Set **URK**

**SAMPLE ORDER**  
600 A Copper  
Off-Set IP 55 5 Conductor  
**MP-HC615T1FURK**



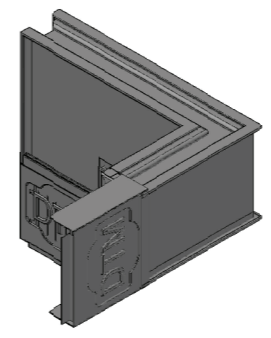
Upwards Left Combined Off-Set **ULK**

**SAMPLE ORDER**  
400 A Aluminum  
Off-Set IP 55 5 Conductor  
**MP-HA405T1FULK**



Downwards Right Combined Off-Set **DRK**

**SAMPLE ORDER**  
250 A Copper  
Off-Set IP 55 5 Conductor  
**MP-HC265T1FDRK**



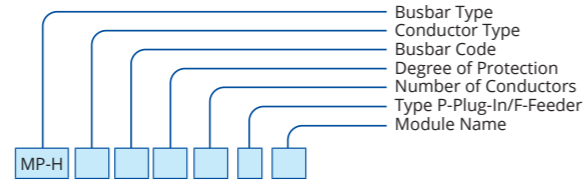
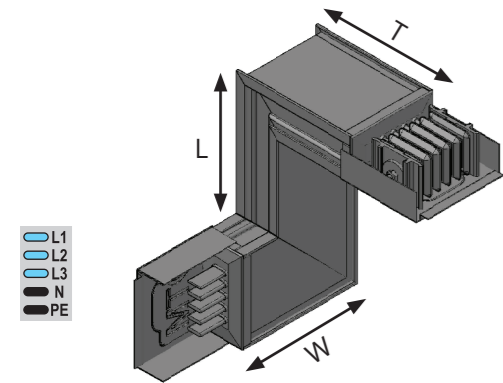
Downwards Left Combined Off-Set **DLK**

**SAMPLE ORDER**  
400 A Aluminum  
Off-Set IP 55 5 Conductor  
**MP-HA405T1FDLK**

	(AL)			(CU)			
AMR.	W mm	T mm	L mm	AMR.	W mm	T mm	L mm
160A	145	200	200	250A	145	200	200
250A	150	200	200	315A	150	200	200
315A	155	200	200	400A	155	200	200
400A	165	200	200	600A	165	200	200
500A	170	200	200				
600A	180	200	200				
AMR.	X mm	Y mm	Z mm	AMR.	X mm	Y mm	Z mm
160A	145	200	200	250A	145	200	200
250A	150	200	200	315A	150	200	200
315A	155	200	200	400A	155	200	200
400A	165	200	200	600A	165	200	200
500A	170	200	200				
600A	180	200	200				

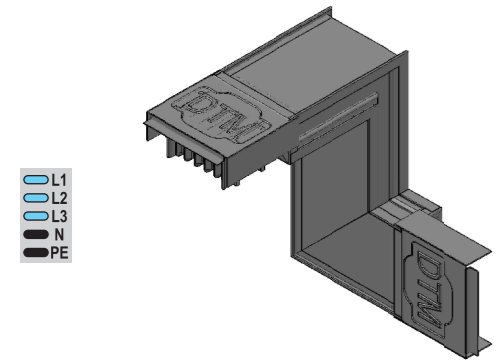
▶ Please contact us for your requests.

▶ Elbow Modules



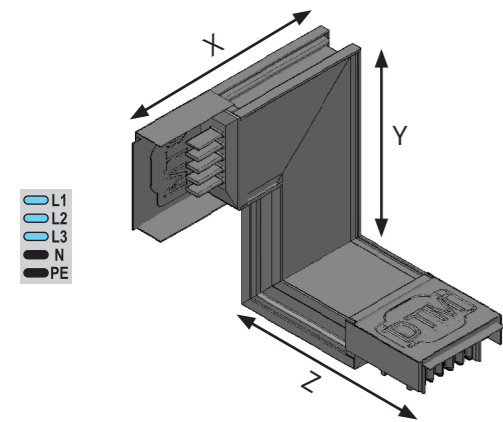
Right Upwards Combined Off-Set RUK

**SAMPLE ORDER**  
250 A Copper Combined Off-Set IP55 5 Conductor  
**MP-HC265T1FRUK**



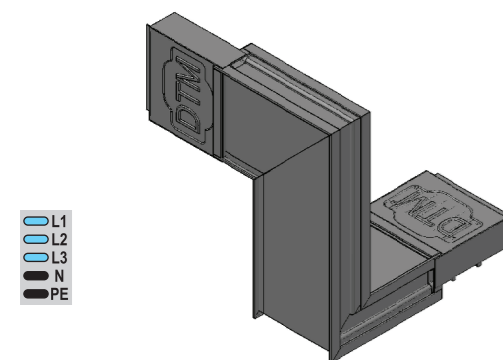
Left Upwards Combined Off-Set LUK

**SAMPLE ORDER**  
250 A Copper Combined Off-Set IP55 5 Conductor  
**MP-HC265T1FLUK**



Right Downwards Combined Off-Set RDK

**SAMPLE ORDER**  
250 A Aluminum Combined Off-Set IP55 5 Conductor  
**MP-HA255T1FRDK**



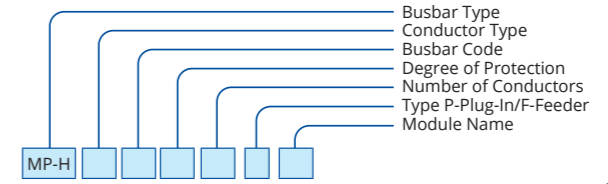
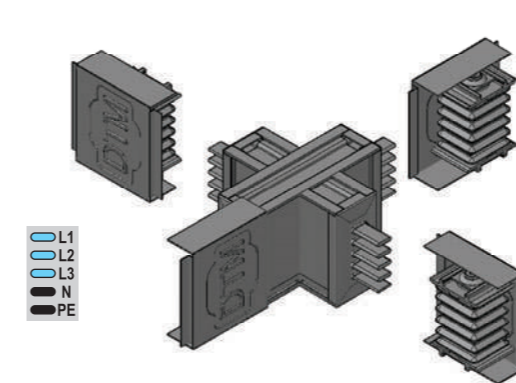
Left Downwards Combined Off-Set LDK

**SAMPLE ORDER**  
250 A Aluminum Combined Off-Set IP 55 5 Conductor  
**MP-HA255T1FLDK**

(AL)				(CU)			
AMR.	W mm	T mm	L mm	AMR.	W mm	T mm	L mm
160A	200	145	200	250A	200	145	200
250A	200	150	200	315A	200	150	200
315A	200	155	200	400A	200	155	200
400A	200	165	200	600A	200	165	200
500A	200	170	200				
600A	200	180	200				
AMR.	X mm	Y mm	Z mm	AMR.	X mm	Y mm	Z mm
160A	200	200	145	250A	200	200	145
250A	200	200	150	315A	200	200	150
315A	200	200	155	400A	200	200	155
400A	200	200	165	600A	200	200	165
500A	200	200	170				
600A	200	200	180				

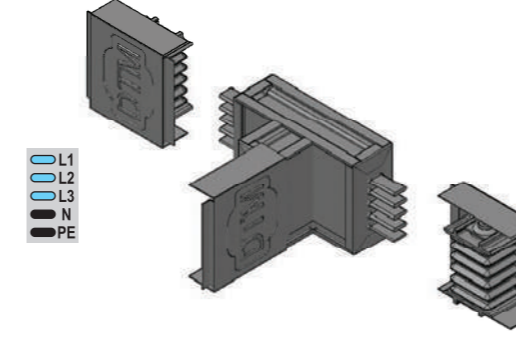
▶ Please contact us for your requests.

▶ Tee Modules



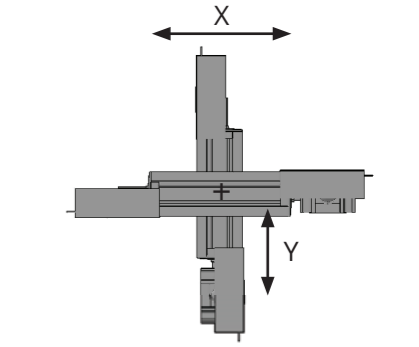
Four-Piece Tee Module DT

**SAMPLE ORDER**  
250 A Aluminum, Four-Piece Tee Module IP 55 5 Conductor  
**MP-HA255T1FDT**



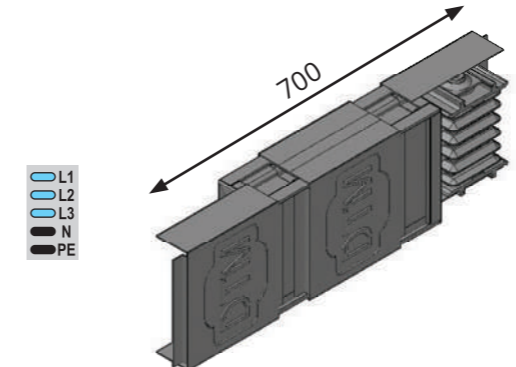
Centre Tee Module OT

**SAMPLE ORDER**  
250 A Aluminum, Tee Module IP 55 5 Conductor  
**MP-HA255T1FOT**



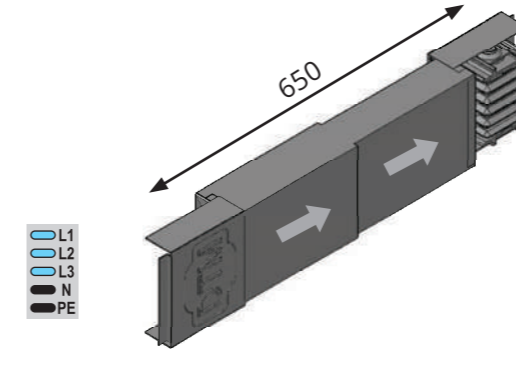
(AL)			(CU)		
AMR.	X mm	Y mm	AMR.	X mm	Y mm
160A	300	145	250A	300	145
250A	300	150	315A	300	150
315A	310	155	400A	310	155
400A	330	165	600A	330	165
500A	340	170			
600A	350	175			
AMR.	W mm	T mm	AMR.	W mm	T mm
160A	300	145	250A	300	145
250A	300	150	315A	300	150
315A	310	155	400A	310	155
400A	330	165	600A	330	165
500A	340	170			
600A	350	175			

▶ Standard Modules



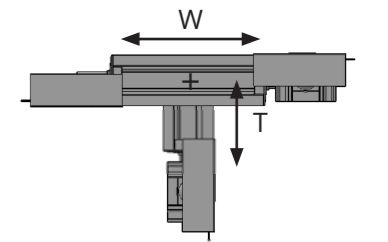
Expansion Module G

**SAMPLE ORDER**  
400 A Aluminum, Expansion Module IP 55 5 Conductor  
**MP-HA405T1FG**



Reduction Module RD

**SAMPLE ORDER**  
400 A Aluminum, Reduction Module IP 55 5 Conductor  
**MP-HA405T1FRD**

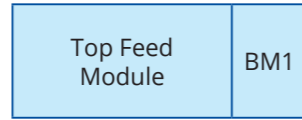
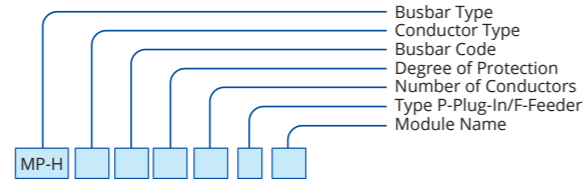
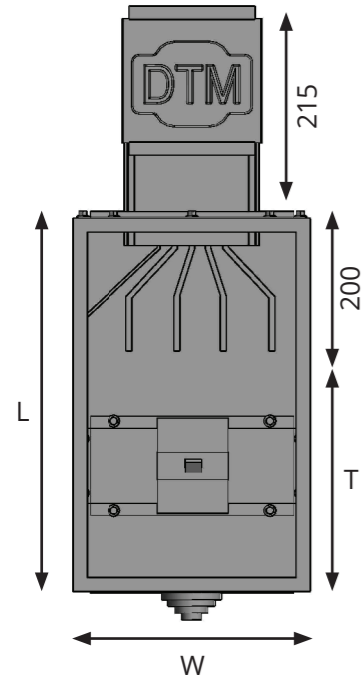


MP-H AL Conductor RD					
Rated Current	Busbar Code				
	16	25	31	40	50
	Reduced Rated Current				
	160	250	315	400	500
250A	✓	-	-	-	-
315A	✓	✓	-	-	-
400A	-	✓	✓	-	-
500A	-	-	✓	✓	-
600A	-	-	-	✓	✓

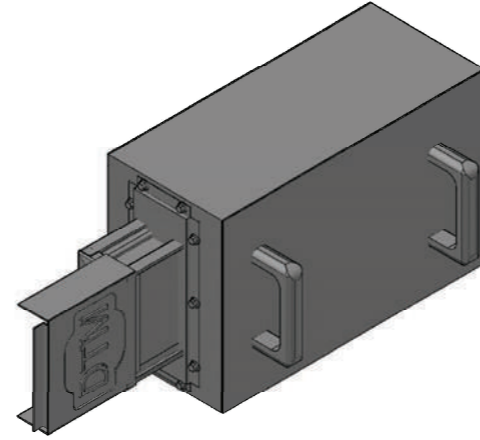
MP-H CU Conductor RD					
Rated Current	Busbar Code				
	26	32	41	51	
	Reduced Rated Current				
	250	315	400	500	
315A	✓	-	-	-	
400A	✓	✓	-	-	
500A	-	✓	✓	-	
600A	-	-	✓	✓	

▶ Please contact us for your requests.

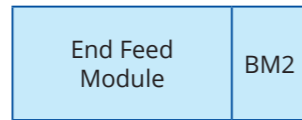
► Feeder Boxes



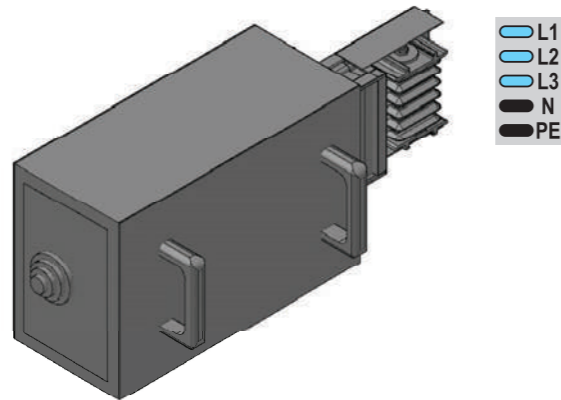
**SAMPLE ORDER**  
400 A Aluminum,  
Feed Module IP 55 5 Conductor  
**MP-HA405T1BM1**



	(AL)			(CU)			
AMR.	W mm	T mm	L mm	AMR.	W mm	T mm	L mm
160A	350	350	560	250A	350	350	560
250A	350	350	560	315A	350	350	560
315A	350	350	560	400A	350	350	560
400A	350	350	560	600A	350	350	560
500A	350	350	560				
600A	350	350	560				

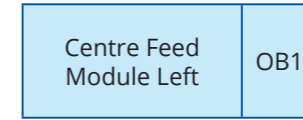
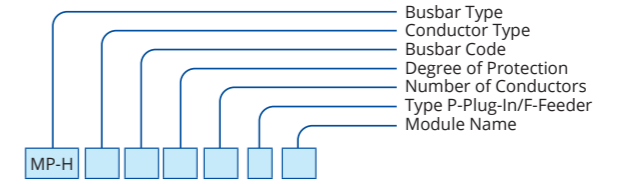
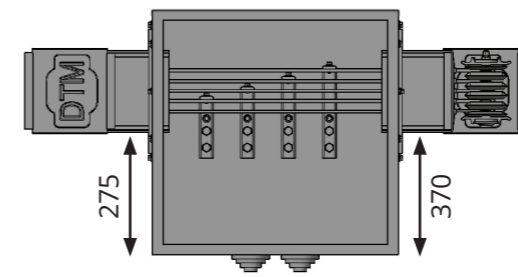


**SAMPLE ORDER**  
400 A Aluminum,  
Feed Module IP 55 5 Conductor  
**MP-HA405T1BM2**

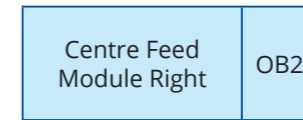
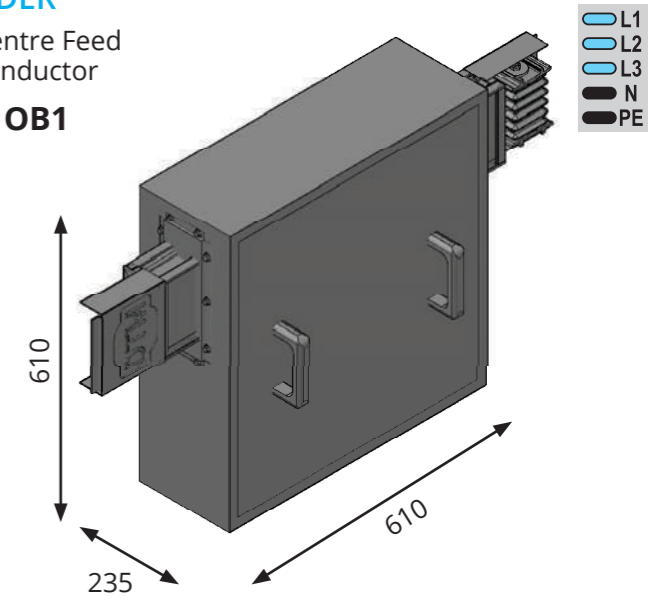


► Please contact us for your requests.

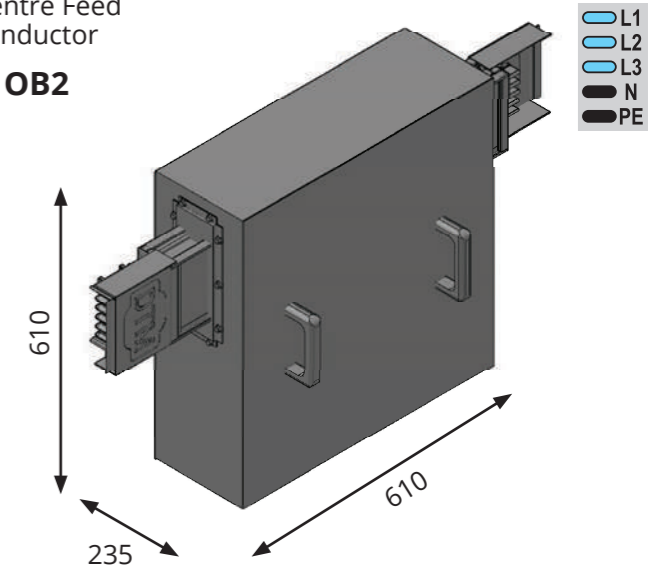
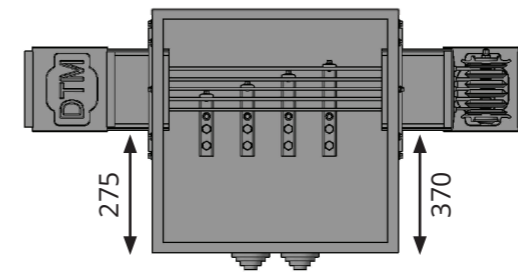
► Feeder Boxes



**SAMPLE ORDER**  
250 A Aluminum, Centre Feed  
Module IP 55 5 Conductor  
**MP-HA255T1OB1**



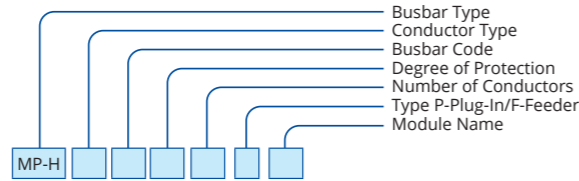
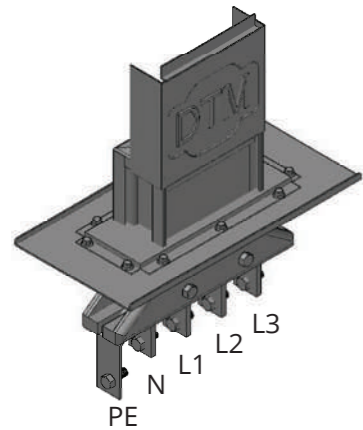
**SAMPLE ORDER**  
250 A Aluminum, Centre Feed  
Module IP 55 5 Conductor  
**MP-HA255T1OB2**



► Please contact us for your requests.



▶ Panel Modules

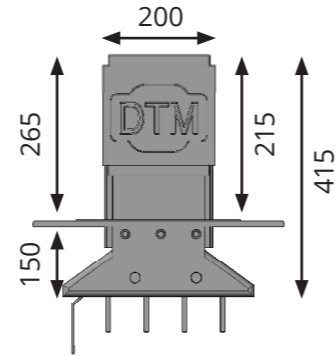


Panel Module (E)	PME
------------------	-----

**SAMPLE ORDER**

250 A Aluminum, Panel Module IP 55 5 Conductor

**MP-HA255T1PME**

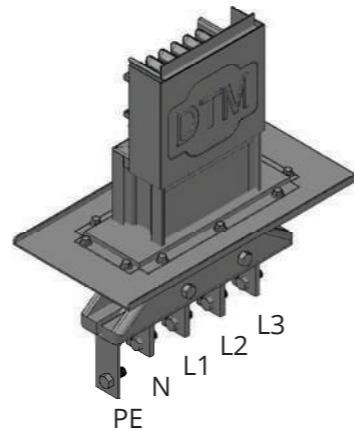


Panel Module (D)	PMD
------------------	-----

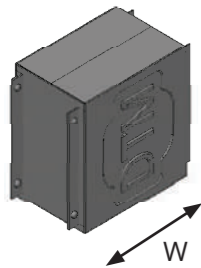
**SAMPLE ORDER**

400 A Aluminum, Panel Module IP 55 5 Conductor

**MP-HA405T1PMD**



▶ Standard Modules



Flanged End	S
-------------	---

**SAMPLE ORDER**

250 A Aluminum, Flanged End IP 55 5 Conductor

**MP-HA255T1S**

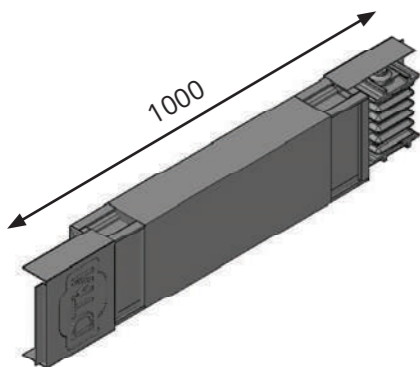
FLANGED END			
(AL)		(CU)	
AMR.	W mm	AMR.	W mm
160A	200	250A	200
250A	200	315A	200
315A	200	400A	200
400A	200	600A	200
500A	200		
600A	200		

Horizontal Dilatation Module	DH
------------------------------	----

**SAMPLE ORDER**

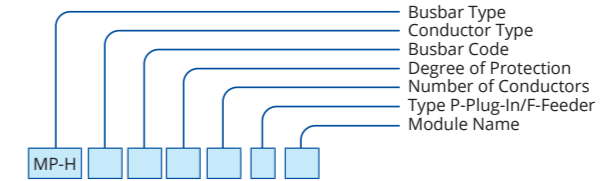
250 A Aluminum, Dilatation IP 55 5 Conductor

**MP-HA255T1DH**



**Horizontal Dilatation Information:**  
In long horizontal runs, the distance between two expansion modules is 40 meters.

▶ Tap-Off Units

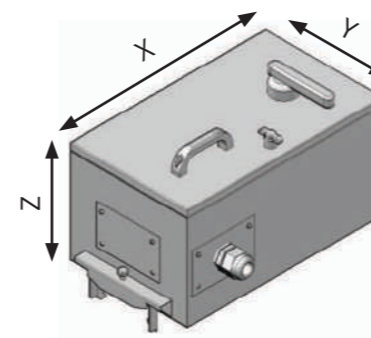


Tap-Off Unit with Automatic Switch	KM1
------------------------------------	-----

**SAMPLE ORDER**

250 A Tap-Off Unit Empty IP 55 5 Conductor

**MP-HA255T1KM1B**



TAP-OFF UNIT WITH AUTOMATIC SWITCH				
AMP.	Unit Code	X (mm)	Y (mm)	Z (mm)
160	MPKM116	450	250	218
250	MPKM125	500	250	218
400	MPKM140	500	250	218

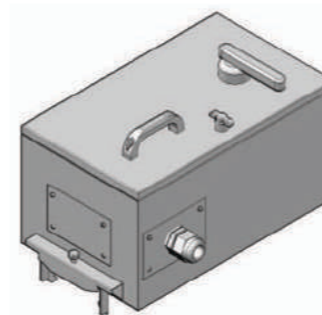
SWITCH TYPE CODE	
WITH SWITCH	EMPTY
S	B

Tap-Off Unit with DTM Mechanism	KM2
---------------------------------	-----

**SAMPLE ORDER**

160 A Tap-Off Unit with Switch IP 55 5 Conductor

**MP-HA165T1KM2S**



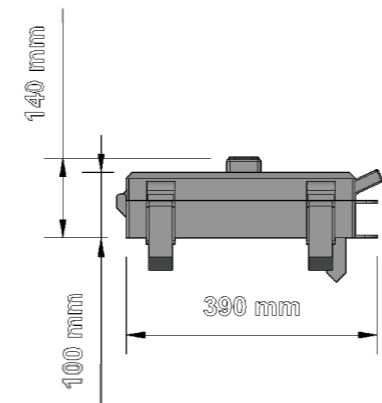
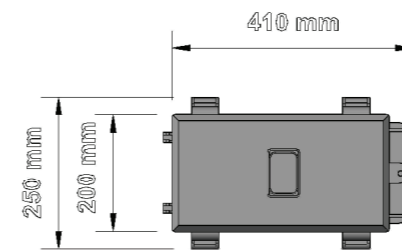
TAP-OFF UNIT WITH DTM MECHANISM AND AUTOMATIC SWITCH				
AMP.	Unit Code	X (mm)	Y (mm)	Z (mm)
160	MPKM216	450	250	218
250	MPKM225	500	250	218
400	MPKM240	500	250	218

Tap-Off Unit Plastic	KPO
----------------------	-----

**SAMPLE ORDER**

80 A Tap-Off Unit IP 55 5 Conductor

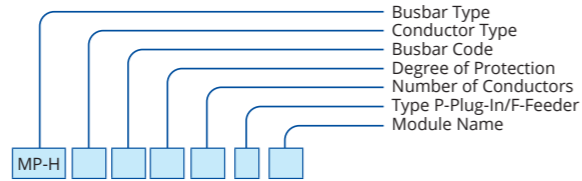
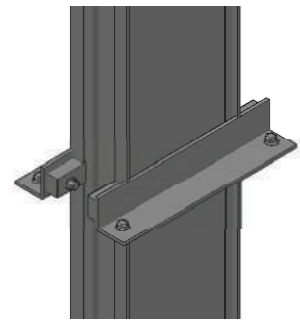
**MPH0805T1KPO**



TAP-OFF UNIT WITH AUTOMATIC SWITCH OR FUSE	
Kutu Kodu	AMP.
MPH025	25
MPH032	32
MPH040	40
MPH063	63
MPH080	80
MPH100	100
MPH120	125
MPH160	160

▶ Please contact us for your requests.

Hangers

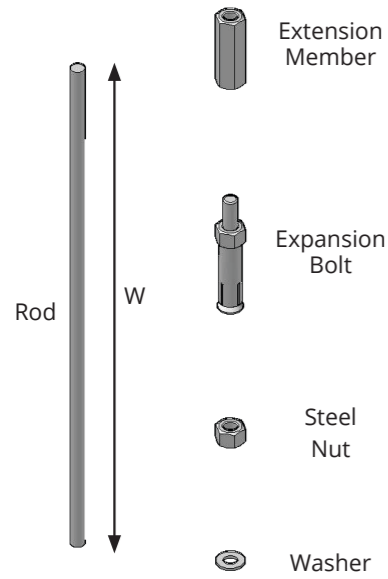
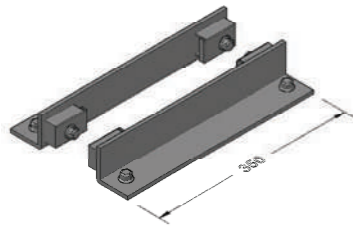


Vertical Hanger (L) Shaft	SA
---------------------------	----

SAMPLE ORDER

400 A Shaft Hanger  
IP 55 5 Conductor

**MP-HA405T1SA**



Fittings	SA
----------	----

SAMPLE ORDER

M8 Rod  
500 mm

**MP-HRE101**

Drill Bit Diameter:

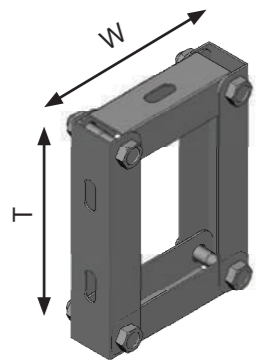
M8.....Ø12  
M10.....Ø14

Horizontal Hanger (Clamp)	YA
---------------------------	----

SAMPLE ORDER

250 A Aluminum  
Horizontal Hanger  
IP 55 5 Conductor

**MP-H255T1YA**



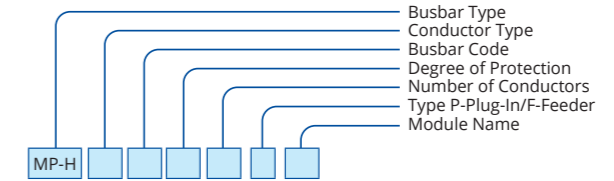
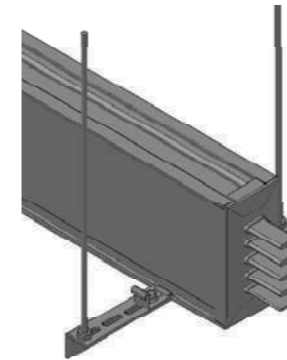
VERTICAL HANGER (L) BRACKET	
AL	
AMP.	L (mm)
160	350
250	350
315	350
400	350
500	350
600	350
630	350
CU	
AMP.	L (mm)
250	350
315	350
400	350
600	350

FITTINGS		
Description	W(mm)	Code
B-E 8 Rod Hanger (M8)	500	RE101
B-E 8 Rod Hanger (M8)	1000	RE102
B-E 10 Rod Hanger (M10)	500	RE103
B-E 10 Rod Hanger (M10)	1000	RE104
(M8) Extension Member	-	RE105
(M10) Extension Member	-	RE106
M 8 Draw-In Anchor	-	RE107
M 10 Draw-In Anchor	-	RE108
M 8 Steel Nut	-	RE109
M 10 Steel Nut	-	RE110
M 8 Washer	-	BE111
M 10 Washer	-	RE112

MP-H255T1YA			
AL			
AMP.	Code	T (mm)	W (mm)
160	MP-HA16	240	120
250	MP-HA25	240	125
315	MP-HA31	240	130
400	MP-HA40	240	150
500	MP-HA50	240	163
600	MP-HA60	240	175
CU			
AMP.	Kod	T (mm)	W (mm)
250	MP-HC26	240	120
315	MP-HC32	240	125
400	MP-HC41	240	130
600	MP-HC61	240	150

▶ Please contact us for your requests.

Hangers

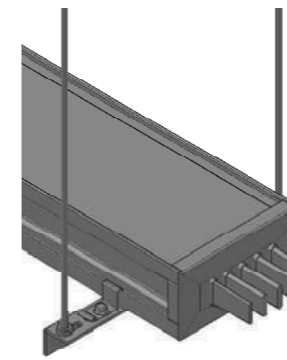


Horizontal Hanger Vertical Module (L) Bracket	YVK
---	-----

SAMPLE ORDER

400 A Aluminum,  
Hanger IP 55 5 Conductor

**MP-HA405T1YVK**

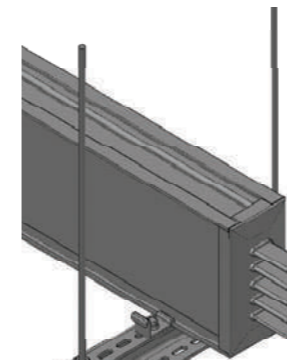


Horizontal Hanger Horizontal Module (L) Bracket	YHK
---	-----

SAMPLE ORDER

400 A Aluminum,  
Hanger IP 55 5 Conductor

**MP-HA405T1YHK**

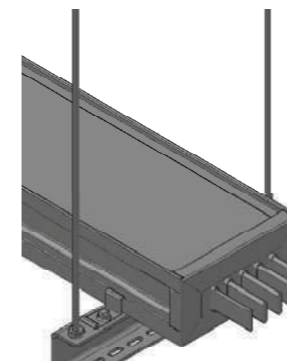


Horizontal Hanger Vertical Module (U) Profile	YVU
---	-----

SAMPLE ORDER

250 A Aluminum,  
Hanger IP 55 5 Conductor

**MP-HA255T1YVU**



Horizontal Hanger Horizontal Module (U) Profile	YHU
---	-----

SAMPLE ORDER

250 A Aluminum,  
Hanger IP 55 5 Conductor

**MP-HA255T1YHU**

HORIZONTAL HANGER UNIT VERTICAL (40X40 BRACKET)			
(AL)		(CU)	
AMP.	L (mm)	AMP.	L (mm)
160A	280	250A	280
250A	285	315A	285
315A	290	400A	290
400A	310	600A	310
500A	325		
600A	335		

HORIZONTAL HANGER UNIT HORIZONTAL (40X40 BRACKET)			
(AL)		(CU)	
AMP.	W (mm)	AMP.	W (mm)
160A	400	250A	400
250A	400	315A	400
315A	400	400A	400
400A	400	600A	400
500A	400		
600A	400		

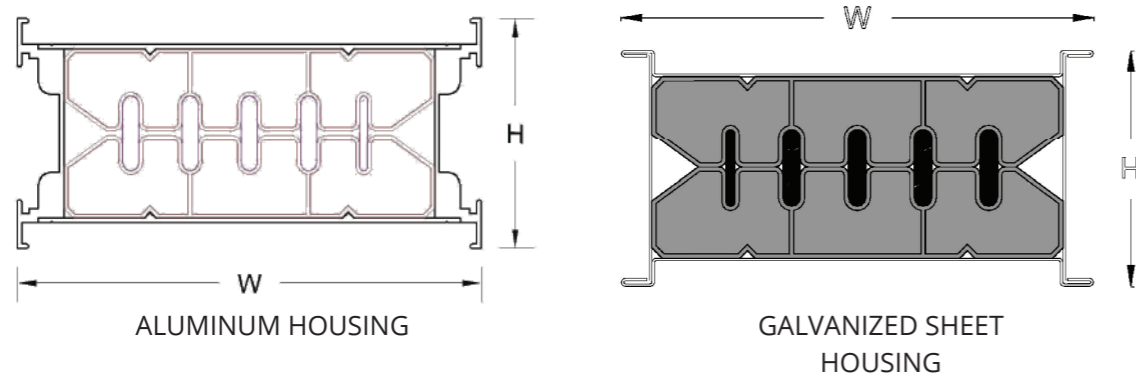
HORIZONTAL HANGER UNIT VERTICAL (U PROFILE) 45X45			
(AL)		(CU)	
AMP.	T (mm)	AMP.	T (mm)
160A	280	250A	280
250A	285	315A	285
315A	290	400A	290
400A	310	600A	310
500A	325		
600A	335		

HORIZONTAL HANGER UNIT HORIZONTAL (40X40 BRACKET)			
(AL)		(CU)	
AMP.	H (mm)	AMP.	H (mm)
160A	400	250A	400
250A	400	315A	400
315A	400	400A	400
400A	400	600A	400
500A	400		
600A	400		

► Busbar Technical Data

ALUMINUM BUSBAR DIMENSIONS AND WEIGHTS								
AL								
AMPERE RATING	BUSBAR MM		EACH PHASE		FEEDER KG/M			
	W	H	MM		3p3w+pe	3p4w+pe		
160	198	X	80	6	X	20	12,5	14,5
250	198		85			25	13,5	15,5
315	198		90			30	15,5	18,5
400	198		110			50	16,5	19
500	198		122.5			62.5	17,5	19,5
600	198		135			75	18,5	22

COPPER BUSBAR DIMENSIONS AND WEIGHTS								
CU								
AMPERE RATING	BUSBAR MM		EACH PHASE		FEEDER KG/M			
	W	H	MM		3p3w+pe	3p4w+pe		
250	198	X	80	6	X	20	18,5	22
315	198		85			25	21,5	25,5
400	198		90			30	24,5	28
600	198		110			50	26,5	30



TECHNICAL DATA			
Ampere Rating	Resistance R	Resistance X	Resistance Y
<b>Aluminum</b>			
225	0,12	0,09	0,14
300	0,12	0,09	0,14
400	0,08	0,08	0,11
500	0,07	0,07	0,09
<b>Copper</b>			
225	0,17	0,13	0,22
400	0,06	0,09	0,11
500	0,04	0,08	0,09
600	0,04	0,08	0,09

TECHNICAL TABLE (MP-H AL)								
ALUMINUM CONDUCTOR (AL)								
Rated Current	In	A	160	250	315	400	500	600
Busbar Code			MP-HA16	MP-HA25	MP-HA31	MP-HA40	MP-HA50	MP-HA60
Degree of Protection	IP55							
Standards	IEC 61439-6 TS EN 61439-6 IEC 61439-1 TS EN 61439-1							
Max. Rated Operational Voltage	Ue	Vac	1000					
Rated Frequency	f	Hz	50					
Rated Insulation Voltage	Ui	V	1000	Category IV				
Mechanical Impact Resistance (IK Code)	Plug-in Busbar IK07							
Measures for the Protection of Humans	Basic Protection (HD 60364-4-41, Article A1)							
Rated Short-Time Current (1s)	Icw	kA	10	15	15	30	35	35
Rated Peak Withstand Current	Ipk	kA	18	30	30	64	78	85
Rated Short-Time Current for Neutral Conductor (1s)	Icw	kA	6	9	10	20	25	30
Rated Peak Withstand Current for Neutral Conductor	Ipk	kA	10,3	15,3	15,5	35	40	50
Rated Short-Time Current for Protective Circuit (1s)	Icw	kA	9	9	10	20	25	30
Rated Peak Withstand Current for Protective Circuit	Ipk	kA	10,3	15,3	15,5	35	40	50

TECHNICAL TABLE (MP-H AL)								
COPPER CONDUCTOR (CU)								
Rated Current	In	A	250	315	400	600		
Busbar Code			MP-HC26	MP-HC32	MP-HC41	MP-HC61		
Degree of Protection	IP55							
Standards	IEC 61439-6 TS EN 61439-6 IEC 61439-1 TS EN 61439-1							
Max. Rated Operational Voltage	Ue	Vac	1000					
Rated Frequency	f	Hz	50					
Rated Insulation Voltage	Ui	V	1000			Category IV		
Mechanical Impact Resistance (IK Code)	Plug-in Busbar IK07							
Measures for the Protection of Humans	Basic Protection (HD 60364-4-41, Article A1)							
Rated Short-Time Current (1s)	Icw	kA	15	18	30	35		
Rated Peak Withstand Current	Ipk	kA	20	35	52,5	73,5		
Rated Short-Time Current for Neutral Conductor (1s)	Icw	kA	9	11	15,5	20		
Rated Peak Withstand Current for Neutral Conductor	Ipk	kA	12	22	32	44,3		
Rated Short-Time Current for Protective Circuit (1s)	Icw	kA	9	11	15,5	20		
Rated Peak Withstand Current for Protective Circuit	Ipk	kA	12	22	32	44,3		

► Vertical and Horizontal Busbar Applications

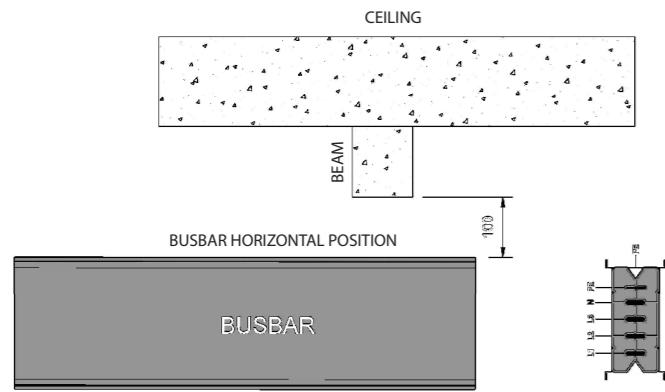


FIGURE 1 – BEAM CROSSING

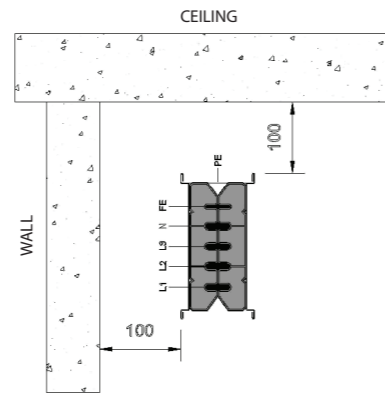


FIGURE 2 – HORIZONTAL POSITION

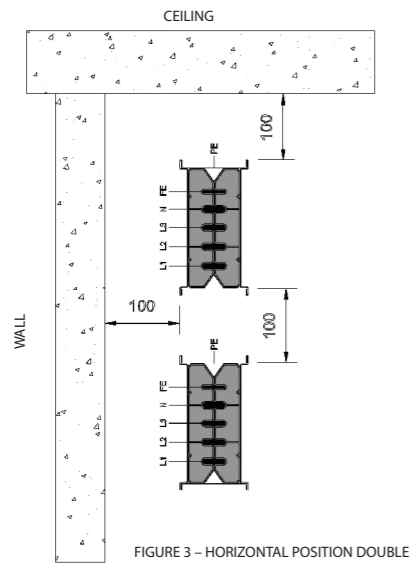


FIGURE 3 – HORIZONTAL POSITION DOUBLE

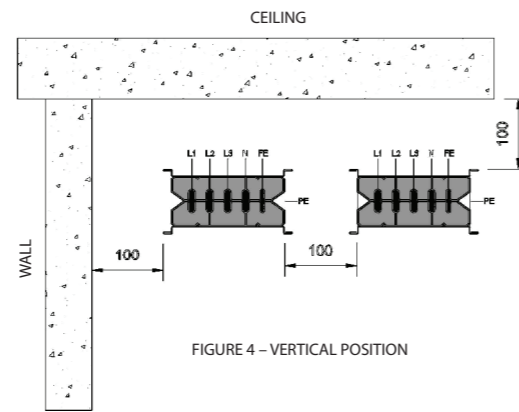


FIGURE 4 – VERTICAL POSITION

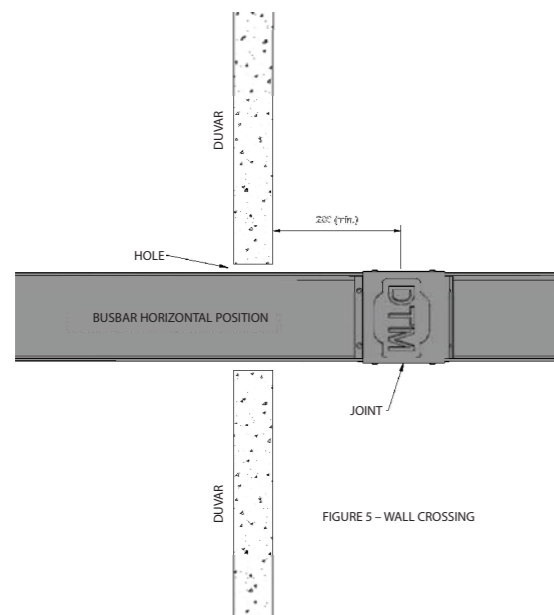


FIGURE 5 – WALL CROSSING

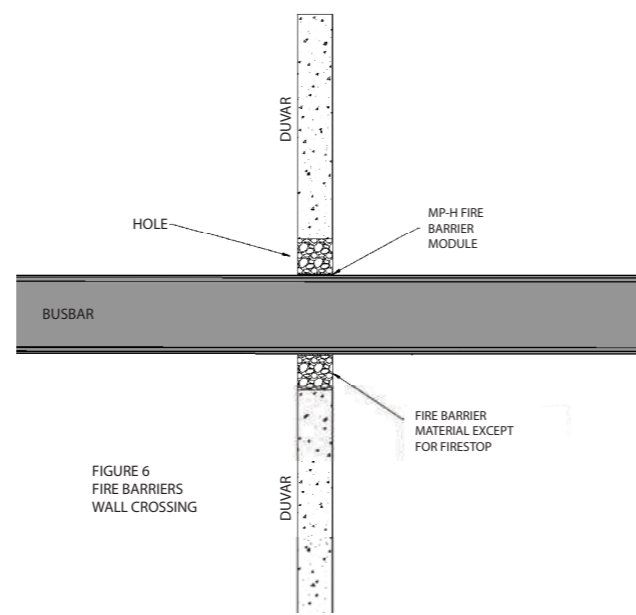


FIGURE 6  
FIRE BARRIERS  
WALL CROSSING

► All dimensions are given in mm. The dimensions given above are minimum values.

► Horizontal Dilatation Module Applications

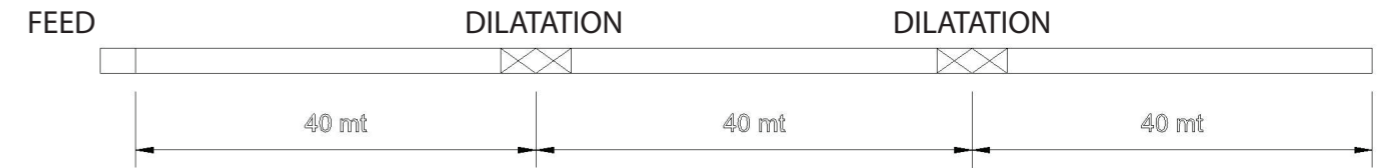


Figure 1 – Horizontal Dilatation Application

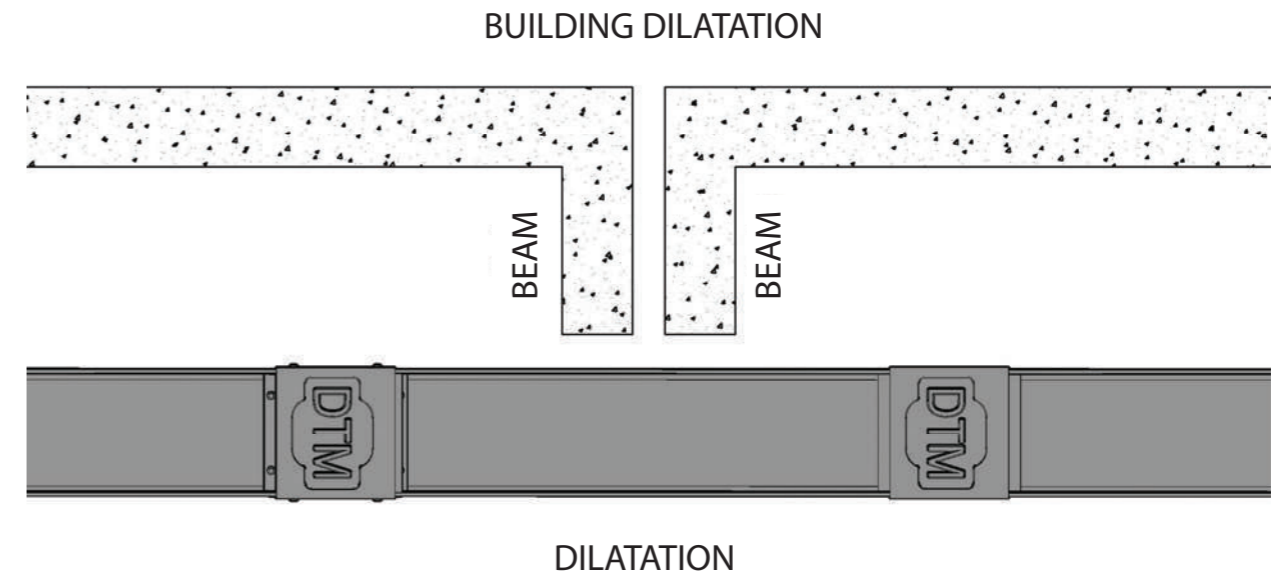
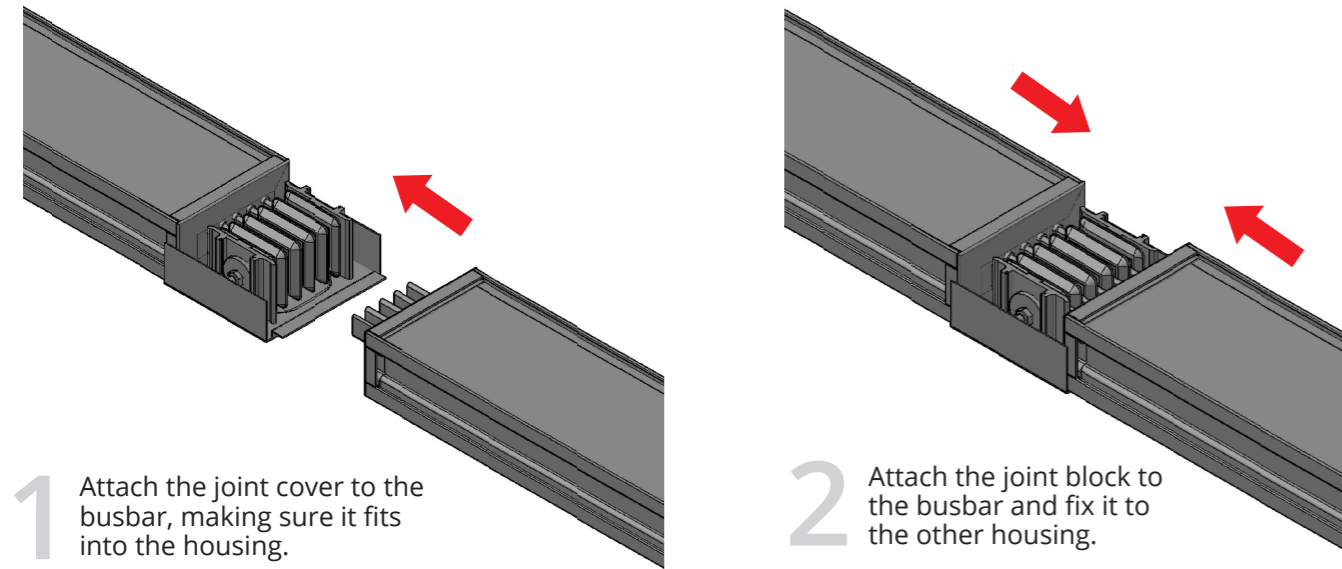


Figure 2 – Horizontal Building Dilatation Application

Horizontal dilatation is used when the busbar run crosses to an adjacent building. Besides, the horizontal busbar run must be used at every 40 meters.

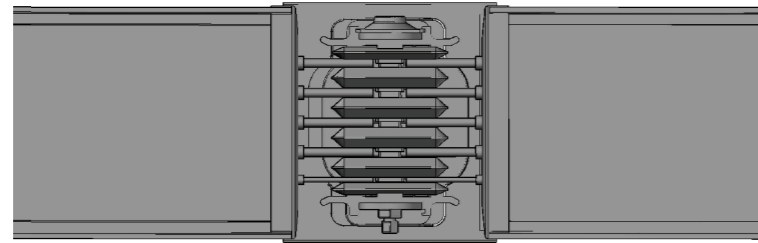
► Installation Instructions



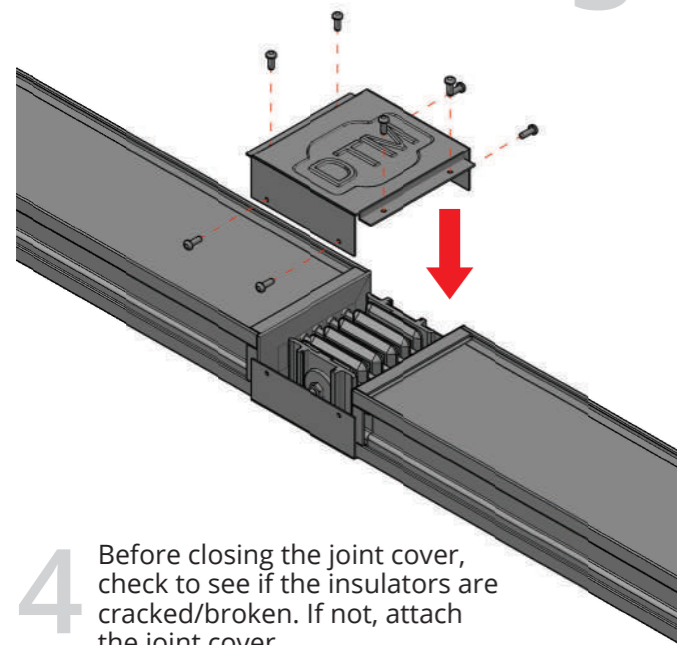
1 Attach the joint cover to the busbar, making sure it fits into the housing.

2 Attach the joint block to the busbar and fix it to the other housing.

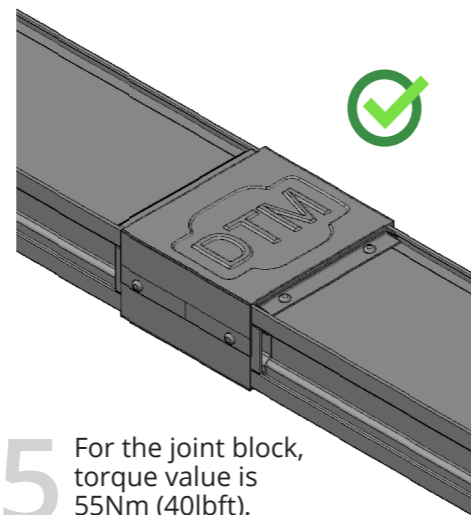
JOINT BLOCK TORQUE VALUE: 40 lbft (55 Nm)



3 Tighten the shear bolt until the head shears off.

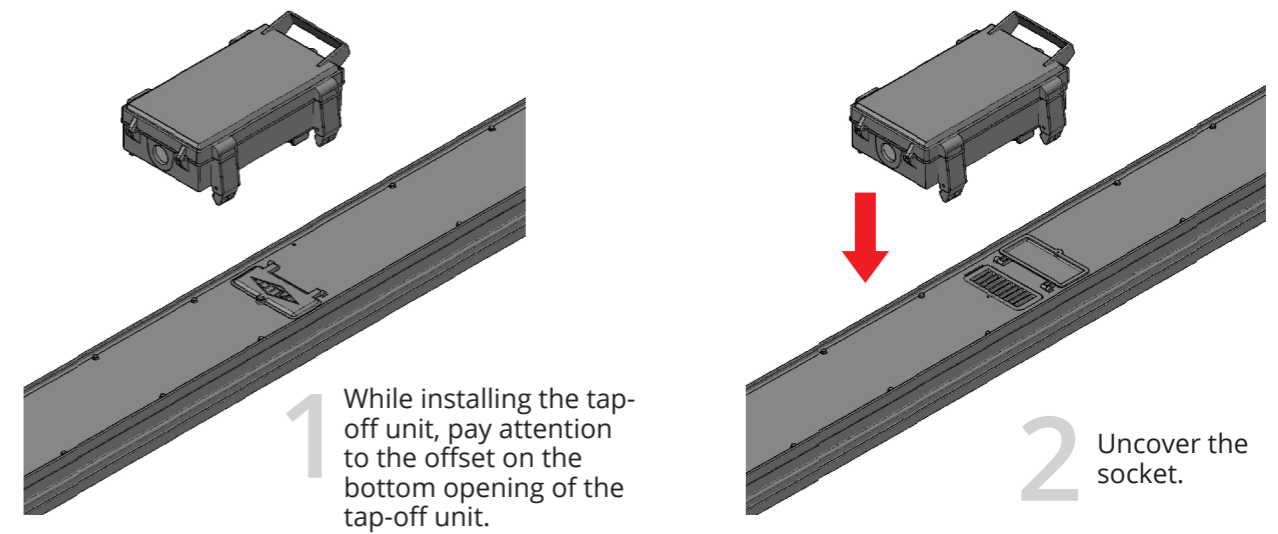


4 Before closing the joint cover, check to see if the insulators are cracked/broken. If not, attach the joint cover.



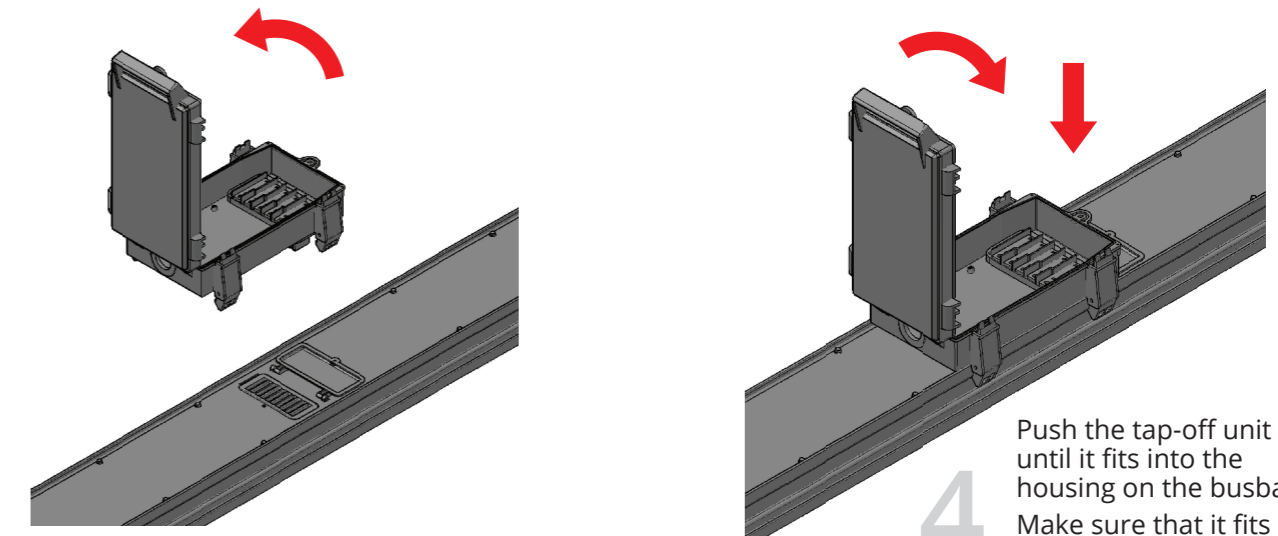
5 For the joint block, torque value is 55Nm (40lbft).

► Plastic Tap-Off Unit Installation



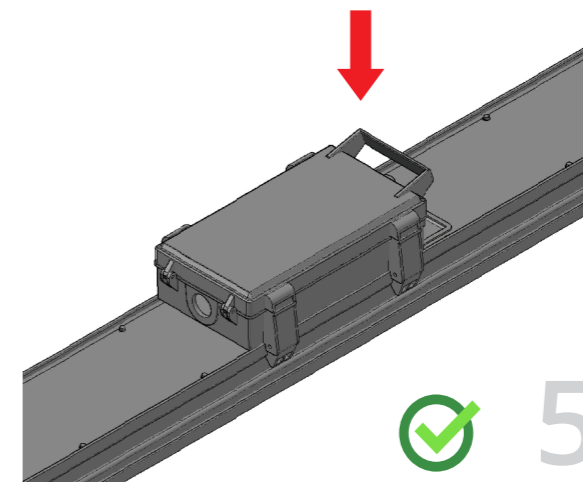
1 While installing the tap-off unit, pay attention to the offset on the bottom opening of the tap-off unit.

2 Uncover the socket.



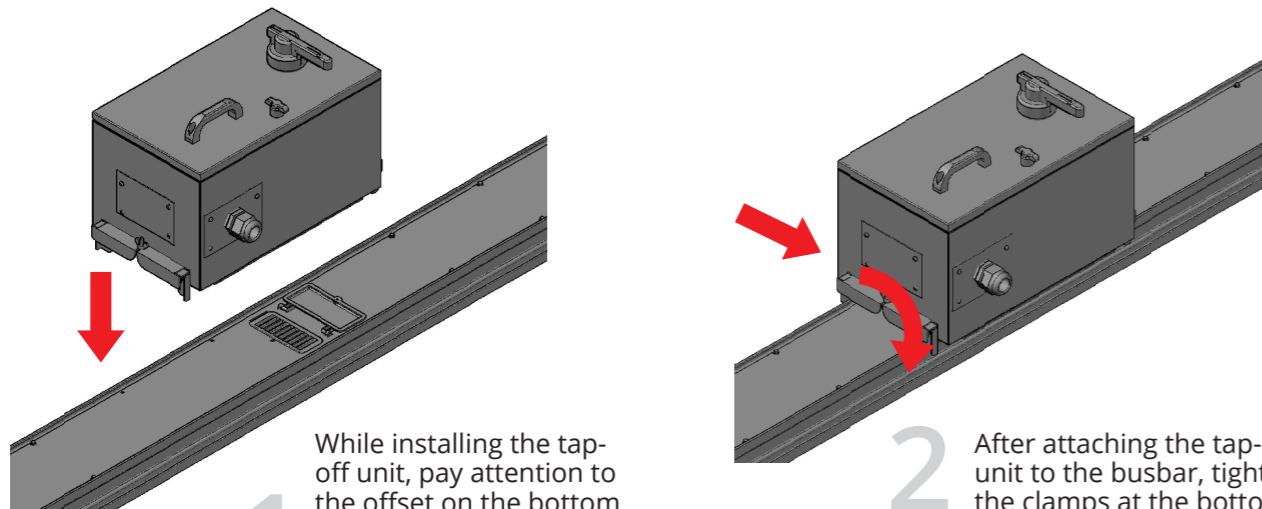
3 Uncover the tap-off unit, place it on the busbar and align these two.

4 Push the tap-off unit until it fits into the housing on the busbar. Make sure that it fits into the housing on the busbar.

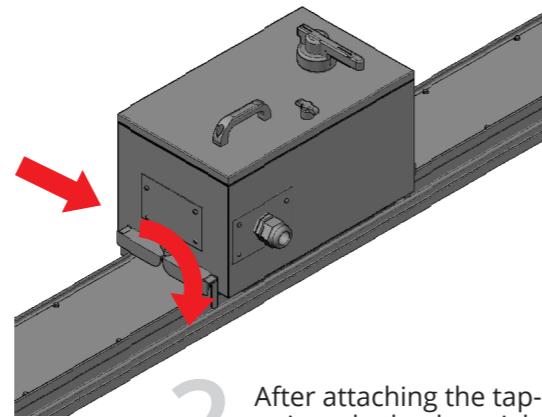


5 Cover the tap-off unit. Thanks to the cover equipped with a special mechanism, the system is powered up once the tap-off unit is covered.

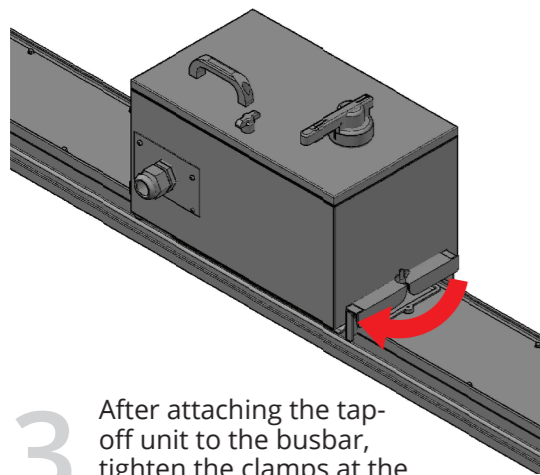
► Metal Tap-Off Unit Installation



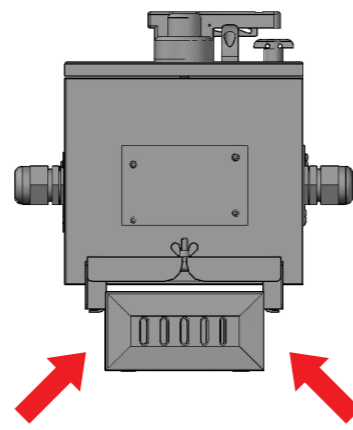
1 While installing the tap-off unit, pay attention to the offset on the bottom opening of the tap-off unit.



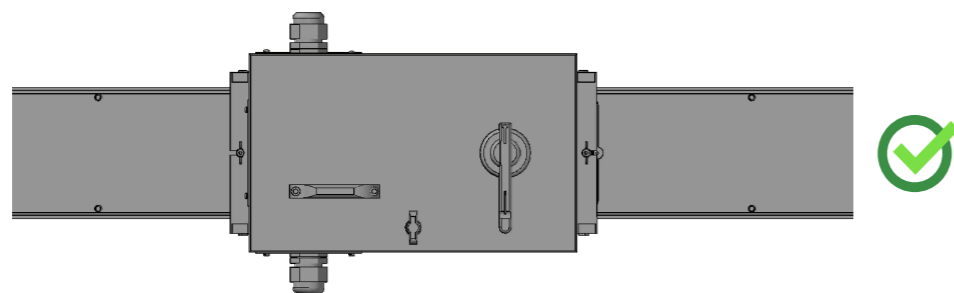
2 After attaching the tap-off unit to the busbar, tighten the clamps at the bottom of the unit.



3 After attaching the tap-off unit to the busbar, tighten the clamps at the top of the unit.

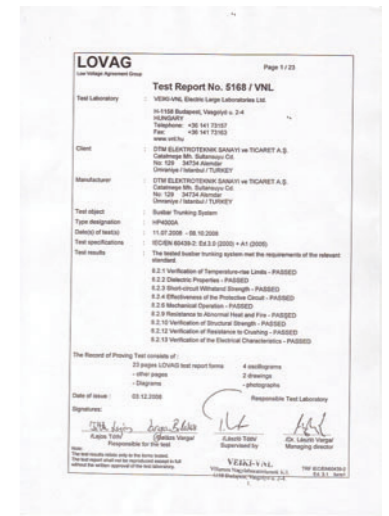


4 Then, ensure that the bottom clamps are fastened properly on the busbar.



5 Turn on the tap-off unit by means of the special mechanism. Cover the tap-off unit when the mechanism is OFF and power up when it is ON. NOTE: For safety reasons, when the mechanism is ON, the tap-off unit cannot be uncovered.

► Certificates



► Beyan

**EC DECLARATION OF CONFORMITY**

**Product Group** MP-H Busbar Power Distribution Systems

**Manufacturer** DTM Elektroteknik San. ve Tic. A.Ş.  
Çatalmeşe mah.Sultansuyu cad. No:129  
34794 Çekmeköy / İstanbul

We hereby confirm that the above-stated product/product group manufactured in DTM's Plants is in conformity with the following standards and directives.

**Standard**

**TS EN 61439-6**

Low-voltage switchgear and control gear assemblies  
Part 2: Busbar trunking systems (busways)

**EC Directive**

(2006/95/EC) "Directive relating to electrical equipment designed for use within certain voltage limits"

**Date**

15.01.2015

DTM Elektroteknik A.Ş.

**DTM Elektroteknik San. Tic. A.Ş.**  
Çatalmeşe Mah. Sultansuyu Cad. No:129 34794 Çekmeköy /İstanbul  
Phone: +90(216) 429 51 74 • www.dtmbusbar.com

DTM

Please use this page by photocopying

BUSBAR EQUIPMENT LIST	CATALOG NO	TYPE	PCS.	COMPANY	PROJECT	PROJECT NO

**BUSBAR EQUIPMENT LIST**

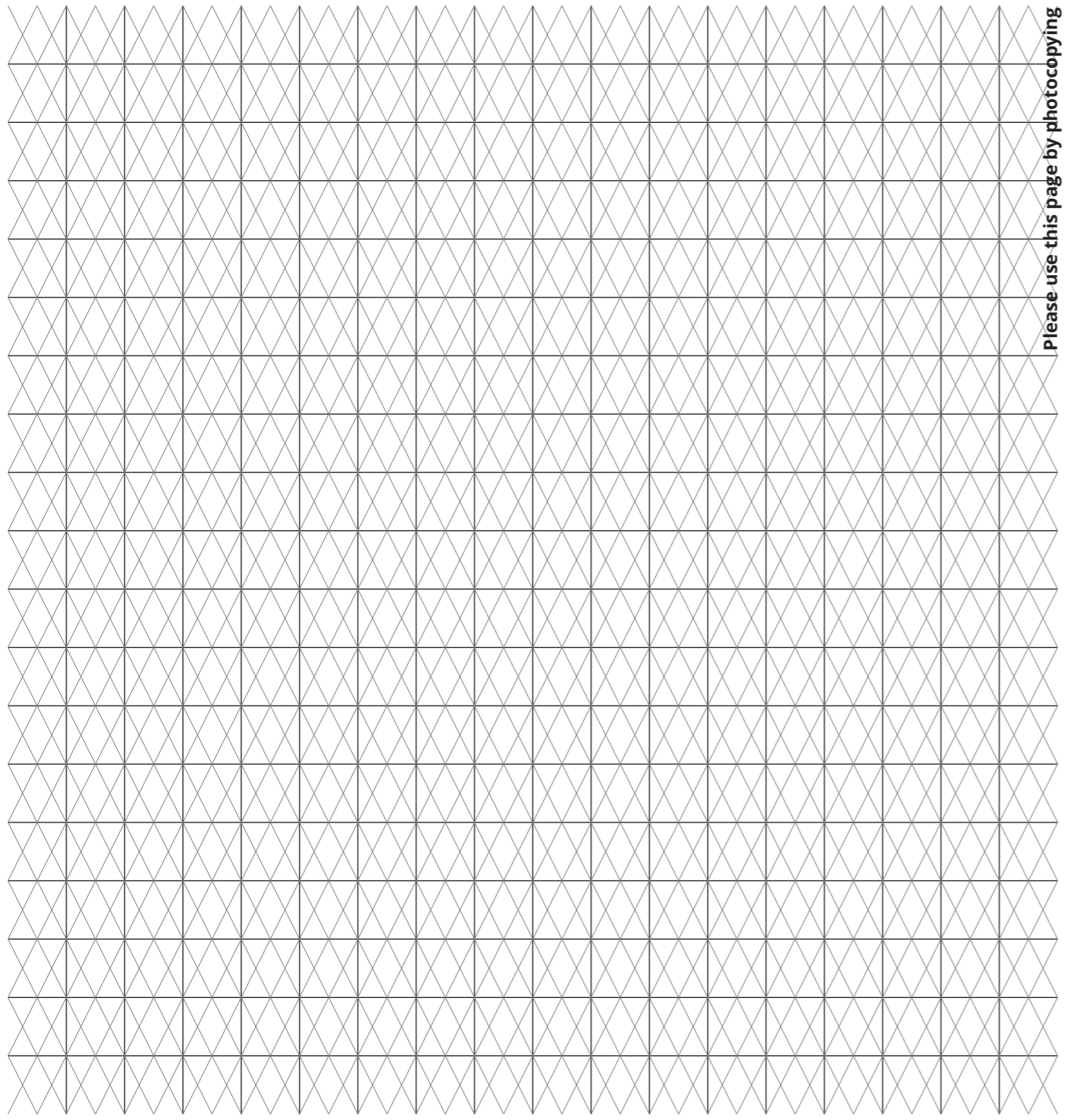
CATALOG NO	TYPE	PCS.
------------	------	------

COMPANY

PROJECT

PROJECT NO

Please use this page by photocopying



**BUSBAR EQUIPMENT LIST**

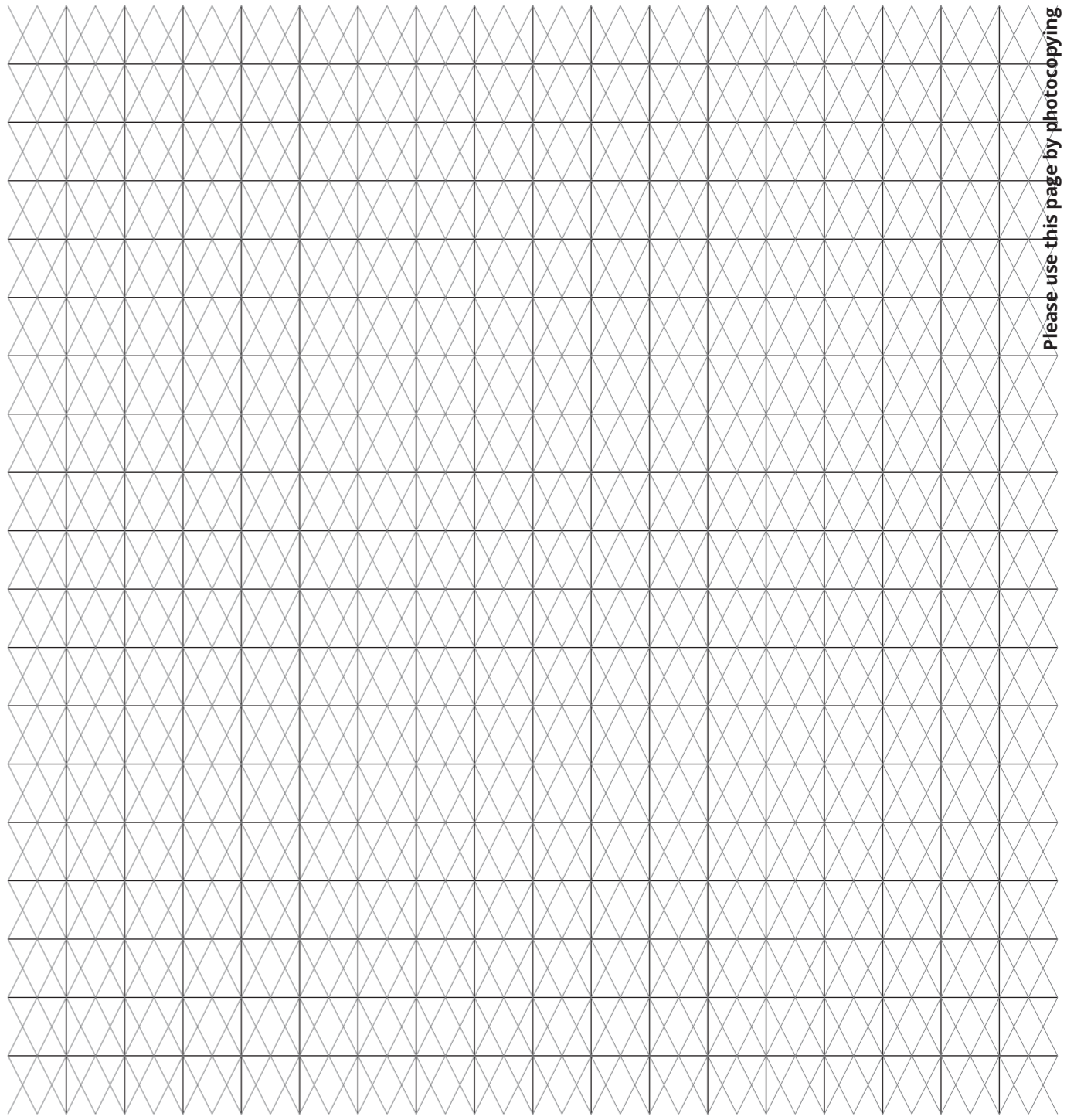
CATALOG NO	TYPE	PCS.
------------	------	------

COMPANY

PROJECT

PROJECT NO

Please use this page by photocopying







## **Elektrotechnik A.Ş**

📍 Alemdağ Sultansuyu Cad.  
No:129 Çekmeköy 34794  
İstanbul / Türkiye

☎ +90 216 429 51 74 (Pbx)

📠 +90 216 429 47 88

✉ info@dtmbusbar.com

🌐 [www.dtmbusbar.com](http://www.dtmbusbar.com)