

ELECTROMECH

ELECTROMECH CABLE TRAY SERIES EMT +

POWDER COATED PAINTING : any RAL on demand.



ELECTROMECH AUTOMATION & ENGINEERING LTD.

Head Office : Shatabdi Center, 12th Floor, 292 Inner Circular Road,
Fakirapool, Motijheel C/A, Dhaka 1000

Phone : 88 02 -7192826, Fax : 88 02 7193516

Mobile : 88 01709377900-99

E-mail : info@electromechbd.com

Factory : Mohakash Road, Sanarpar, Demra, Dhaka

Phone : 88 02 7502611

Chittagong Office :1267/A, Goshaldanga, Agrabad C/A.

Mobile:8801709377991-95

Jessore Office : House # 4/A,(3rd floor), Netaji Suvash Chandra Rd.

Daratana, Jessore. Mobile: 88 01709377970

www.electromechbd.com, info@electromechbd.com, 88 01709377900-99

ELECTROMECH

EMT+ Metallic cable trays are designed & manufactured for the safe and easy laying of cables from one position to another compliant to NEMA standard. ELECTROMECH has designed the best cable trays & ladders with special cares of cable loads & considering site situation. Trays & Ladders are crafted in such a way that functionality & safety is the top priority but again aesthetic looks are equally important. Therefore, responsibility of designer includes the site study, design & validation process, installation & commissioning. Fitting Patterns are in such a way that it enables the easy cutting and joining at any point without facing major obstacles at site.

ELECTROMECH cable Tray, EMT + Series.

Metallic – MS sheet Powder Coated Painting or Pre-galvanized sheet

Overview:

- Straight Siderail Design: Extruded I-beam
Nominal Height 100mm 175mm (special heights on request)
Loading Height 75mm to 150mm.
- Snap-in splice plate connection
- Reverse position of every other rung for bottom or top mounting of cable ties
- Versatile continuous open slot rungs (strut profile)
- Exclusive Cable tie slots on 25mm (1 in.) centers
- Extra wide rung design
- Four bolt connection
- Choice of two styles of fitting (U & H) siderails.

Applications:

Commercial	Industrial
Highrise Commercial Building	Textiles & spinning's
University & Schools	Garments & Dyeing
Hospitals	Pharmaceuticals
Airports	Pulp & Paper
International Conference Centre	Refineries & Power Plant
Stadiums	Petroleum & Mining
	Port & Marines

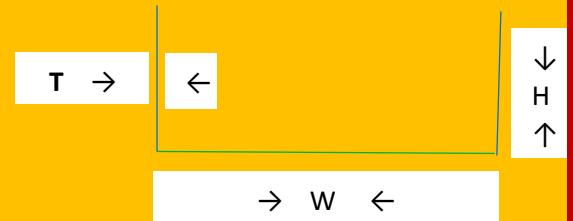
Accessories

- Complete line of accessories and support systems

Material

- MS Steel
- Aluminum (on request).

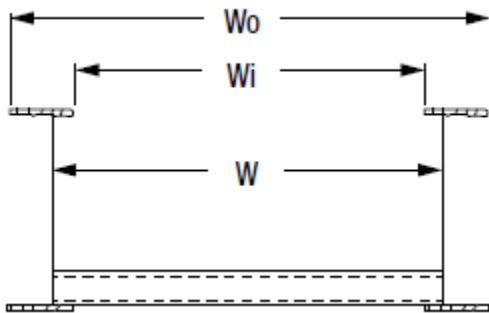
www.electromechbd.com, info@electromechbd.com, 88 01709377900-99

CABLE TRAY EMT+

Model	H (mm)	W(mm)	T (mm)	Weight kg/M
EMT04050	40	50	0.80	0.81
EMT40100	40	100	0.80	1.12
EMT40200	40	200	1.2	2.62
EMT40300	40	300	1.2	3.55
EMT40400	40	400	1.6	5.99
EMT40500	40	500	1.6	7.23
EMT40600	40	600	1.6	8.48

Model	H (mm)	W(mm)	T (mm)	Weight kg/M
EMT07550	75	50	0.80	1.25
EMT75100	75	100	0.80	1.56
EMT75200	75	200	1.2	3.27
EMT75300	75	300	1.2	4.21
EMT75400	75	400	1.6	6.86
EMT75500	75	500	1.6	8.11
EMT75600	75	600	1.6	9.36

CABLE LADDER EML: STRAIGHT LENGTH VENTILATED & SOLID TROUGH



Model	W (mm)	Wi(mm)	Wo (mm)	Thickness (mm)
EML 150	150	122	185	1.2
EML 225	225	197	260	1.2
EML 300	300	272	335	1.2
EML 450	450	422	485	1.2
EML 600	600	572	635	1.2
EML 750	750	722	785	1.2
EML 900	900	872	935	1.2

ELECTRO MECH

- Extra wide MS Steel rungs are welded to MS I-beam siderails. Every second rung is reversed to allow for easy top or bottom mounting of cable ties and clamps. All edges and welds are rounded and smooth to prevent cable damage.
- A fabricated structure consisting of integral or separate longitudinal rails and a bottom having openings sufficient for the passage of air and utilizing 75% or less of the plan area of the surface to support cables. The maximum open spacings between cable support surfaces of transverse elements do not exceed 125 mm (5 in) in the direction parallel to the tray side rails (rung edge to rung edge).

Features & Benefits:

U-Style and H-Style are interchangeable

Easy to align straights

Lowest purchase price

Splice plate holds components together while hardware is inserted

Easy to install

Lighter fittings are easy to handle

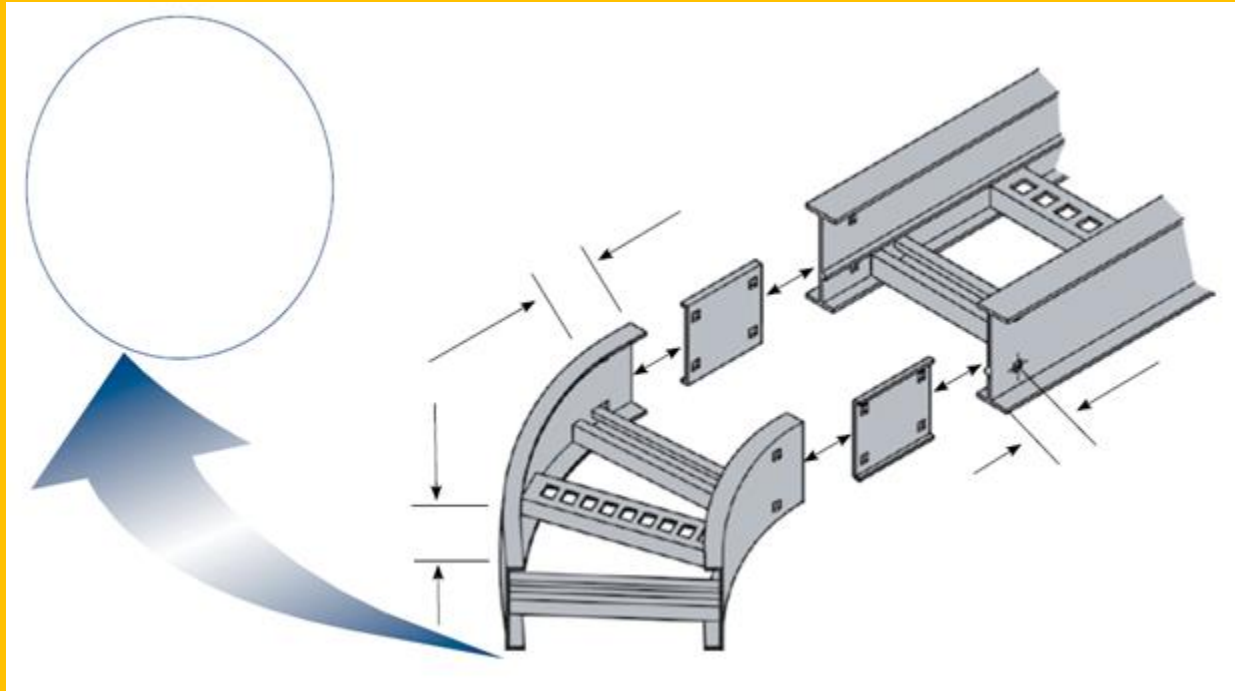
Occupies less space in areas where space is restrained

Functional design

Easy to align straights

Tangents on fittings

Modular Type Joint Plate.

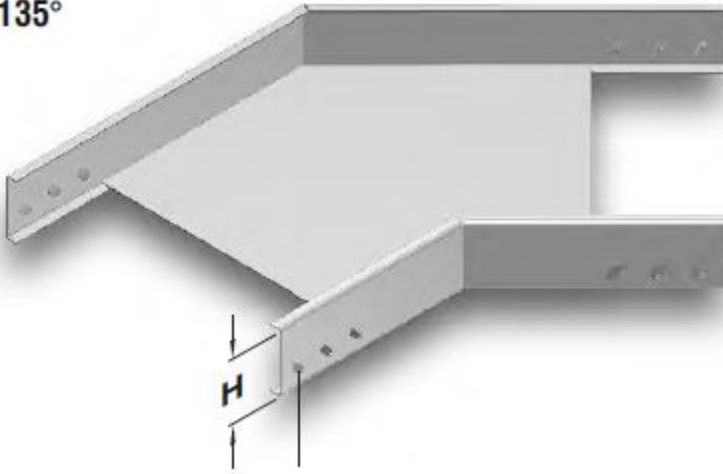
CABLE TRAY SYSTEMS MODULES:**Model 135° Horizontal Elbow Units:**

Model	H (mm)	W(mm)	T (mm)
EMHE04050-135°	40	50	0.80
EMHE40100-135°	40	100	0.80
EMHE40200-135°	40	200	1.2
EMHE40300-135°	40	300	1.2
EMHE40400-135°	40	400	1.6
EMHE40500-135°	40	500	1.6
EMHE40600-135°	40	600	1.6

Model 90° Horizontal Elbow Units:

Model	H (mm)	W(mm)	T (mm)
EMHE04050-90°	40	50	0.80
EMHE40100-90°	40	100	0.80
EMHE40200-90°	40	200	1.2
EMHE40300-90°	40	300	1.2
EMHE40400-90°	40	400	1.6
EMHE40500-90°	40	500	1.6
EMHE40600-90°	40	600	1.6

135°

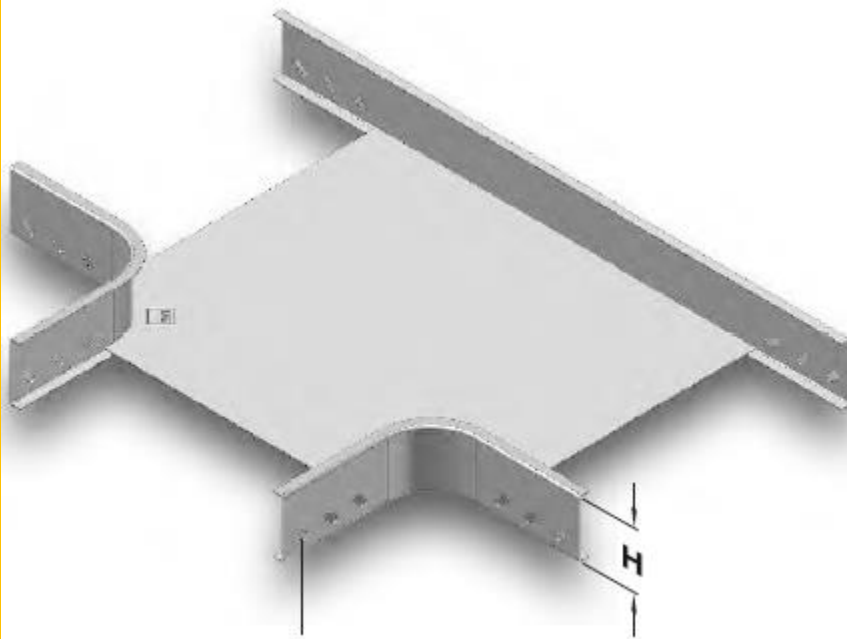


135° Horizontal Elbow

Height (H): 40mm

Tray width (W) : 300mm

Sheet Thickness: 1.2mm

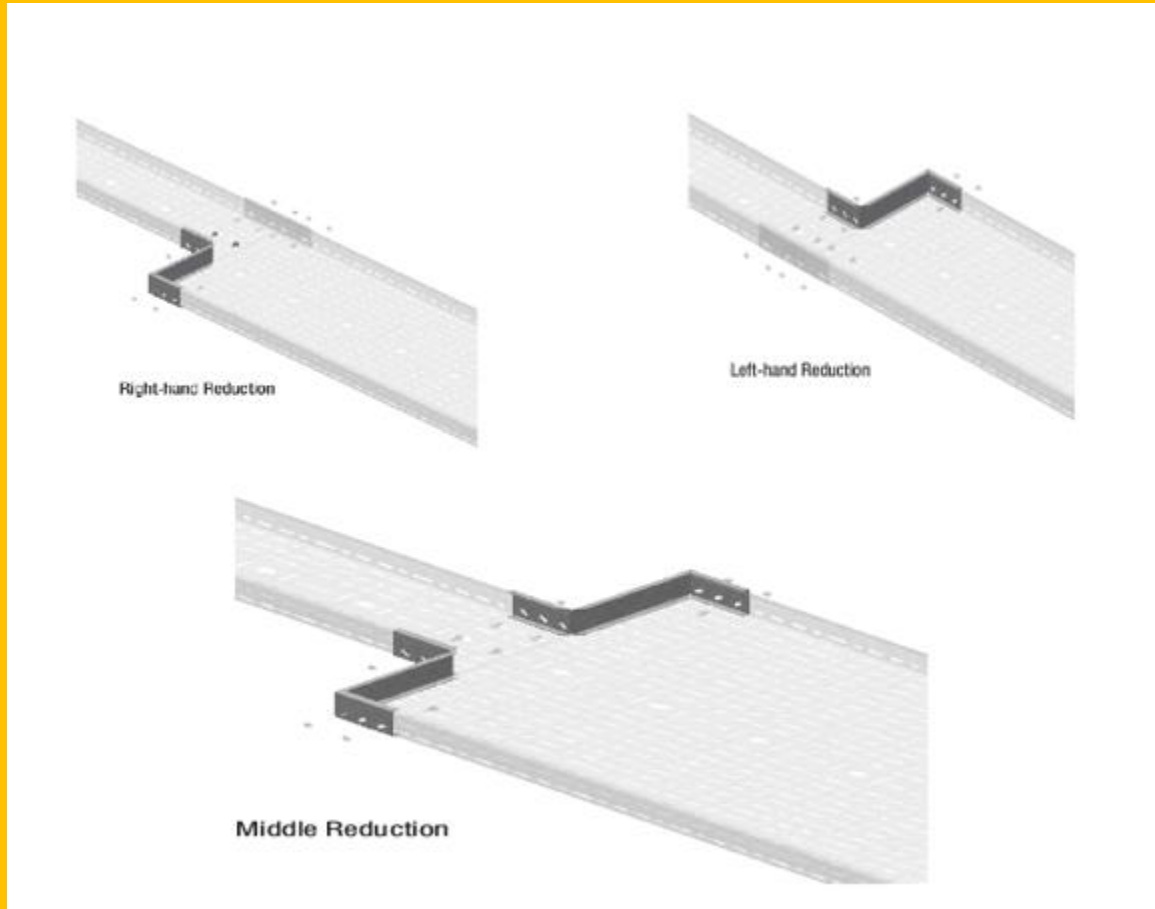


Tee Unit:

Height (H): 40mm

Tray width (W) : 300mm

Sheet Thickness: 1.2mm



Reduction Units are tailored made as per requirement of reduction and necessary to match with the main run.

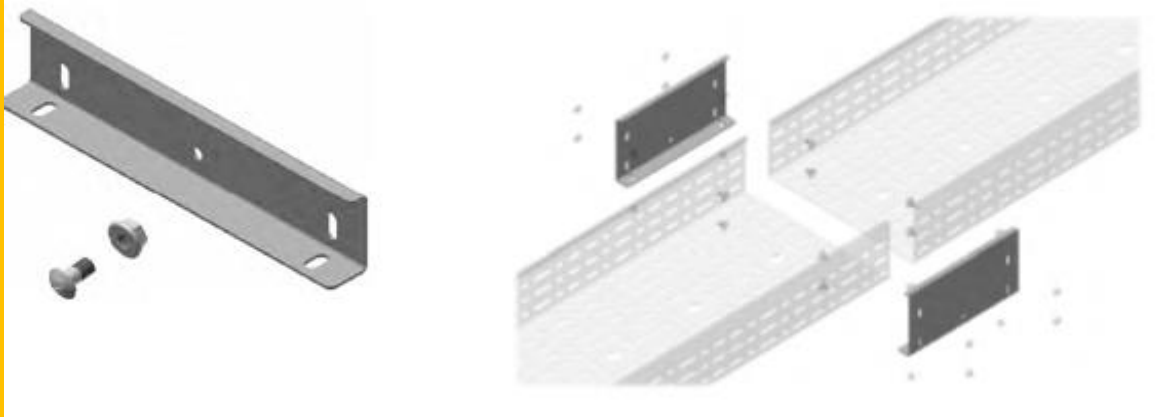


Level Adaption Joint Sets comprising:

4 units of grade changing components

4 units of M6 x12 Bolts

4 units of M6 Bolt Nuts



Expansion Set:

In an expansion set. 2 pieces of expansion attachment, and 8 pieces of special bolts and nuts are used. Maximum expansion scope is 40mm.

www.electromechbd.com, info@electromechbd.com, 88 01709377900-99